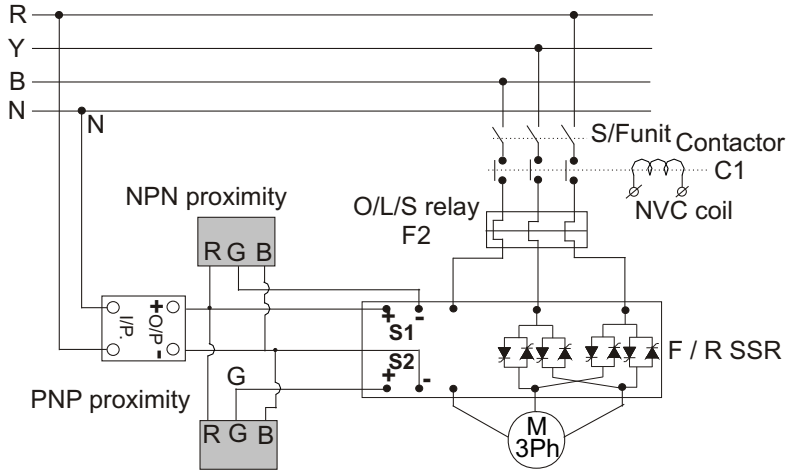
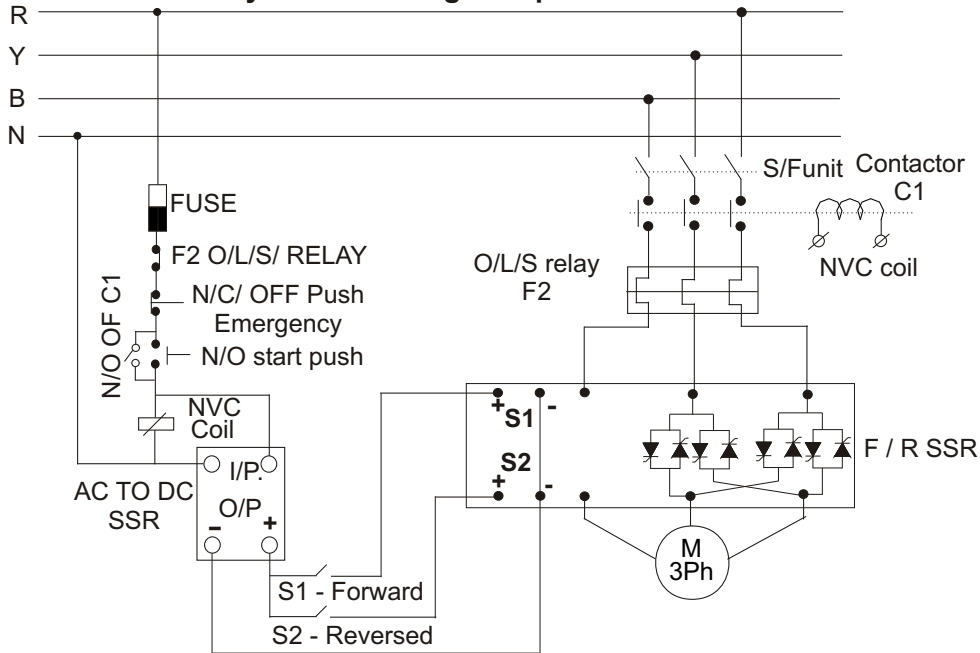


F / R by proximity switch



F/R by control wiring with push button



Single phase motor - forward / reversed

