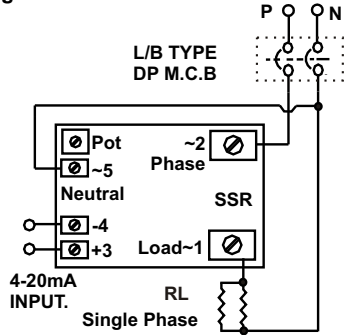


Electrical diagram

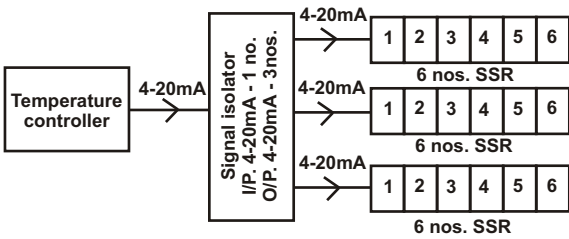
707 model - 4-20mA phase angle controller

Circuit Diagram for 707 model



Precaution :
 ⇒ Please connect terminal "2" as a phase only. And "1" as load only. Otherwise SSR will not operate.
 ⇒ Do not give DC I/p. voltage at 4-20mA I/p. Terminals of SSR otherwise Input of SSR will fail.
 ⇒ Our circuit will not work in star without neutral in phase angle controller SSR.

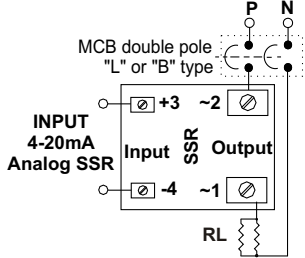
701/707 model I/P. 4-20mA, O/P. Phase Angle Controller



Electrical diagram

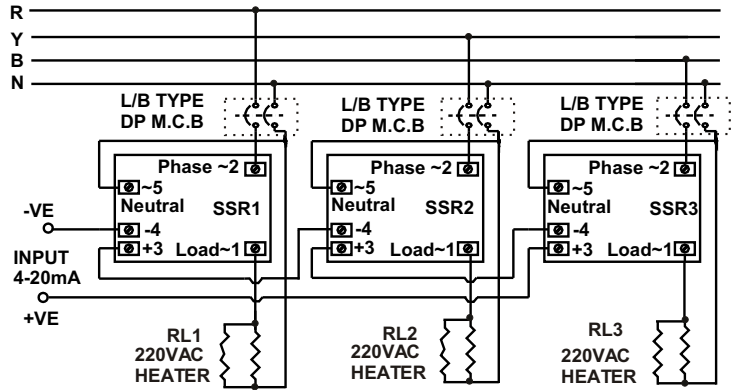
801 model - 4-20mA phase angle controller

Single Phase 230VAC SSR

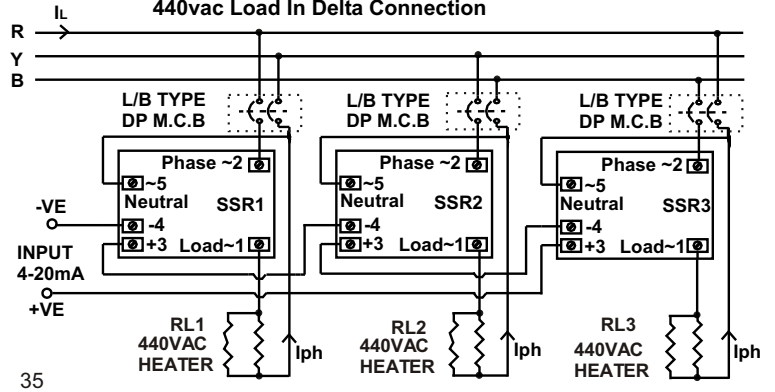


Star Connection with neutral for resistive load

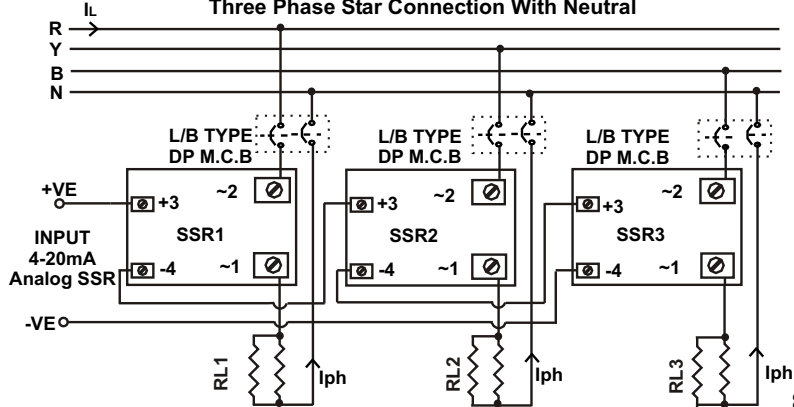
Circuit Diagram for 707 model(4-20mA) Three Phase Star Connection With Neutral



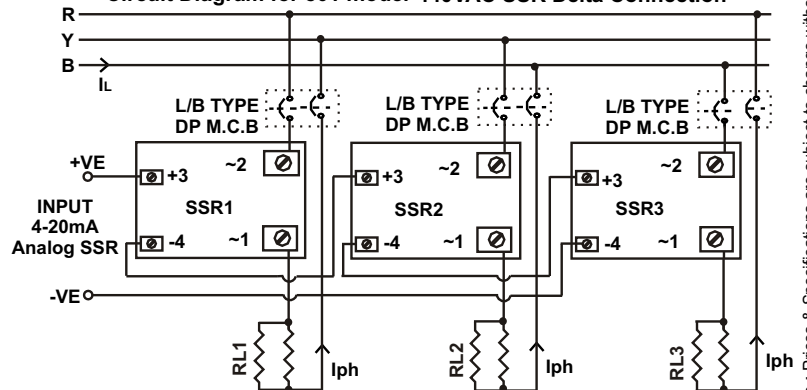
Circuit Diagram For 707 Model (4-20mA) 440vac Load In Delta Connection



Circuit Diagram for 801 model Three Phase Star Connection With Neutral



Circuit Diagram for 801 model 440VAC SSR Delta Connection



Note : Prices & Specifications are subject to change without prior notice.