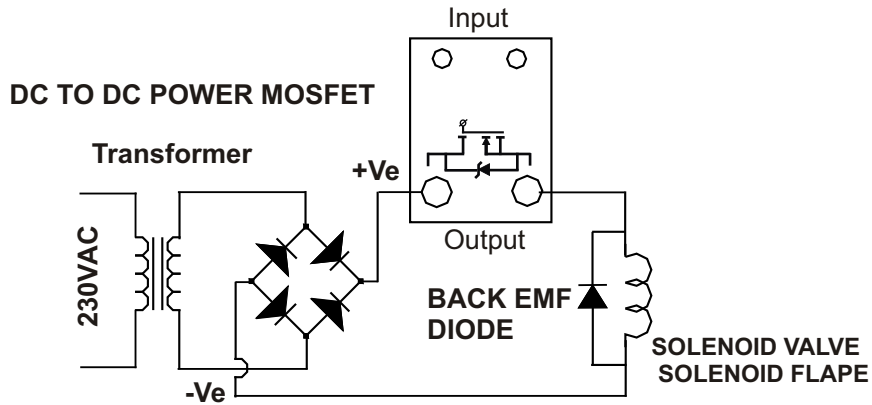
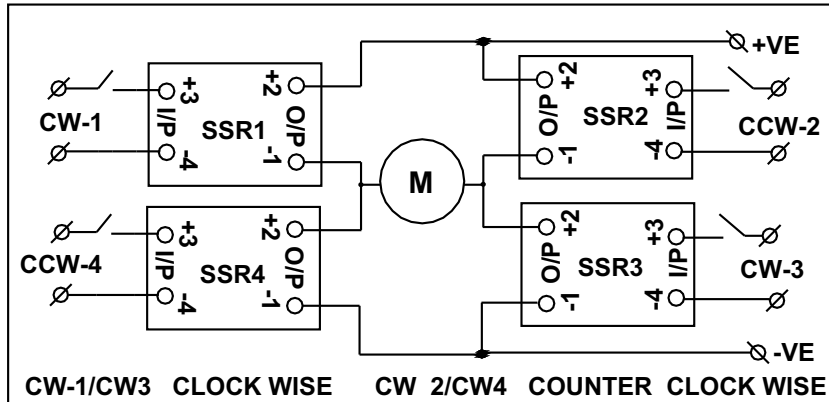


**DC to DC Power MOSFET
Forward / Reversed of DC motor control(H Bridge)**



Variable DC supply to DC motor

- ⇒ Power MOSFET works for unregulated power supply (Transistor will not work for unregulated power supply)
- ⇒ Power MOSFET having voltage drop of milli voltage so less heat generation (transistor having voltage drop more than 1.2VDC so higher heat generation)
- ⇒ Power MOSFET having faster ON/OFF capacity than transistor