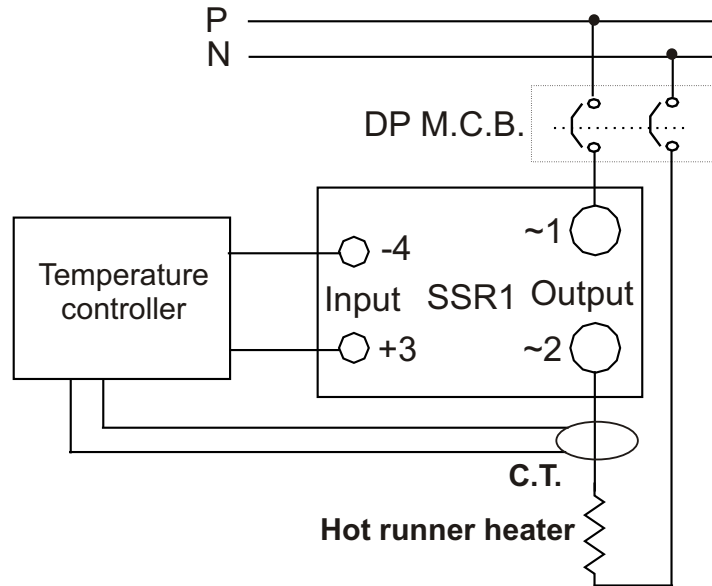


Hot runner system by Phase Angle Controller SSR



- ⇒ Temperature Controller having soft start feature + current display
- ⇒ S.S.R. Having short circuit protection by MCB in AC-3 duty Current
- ⇒ System used for Oven/Furnance/moulding machines