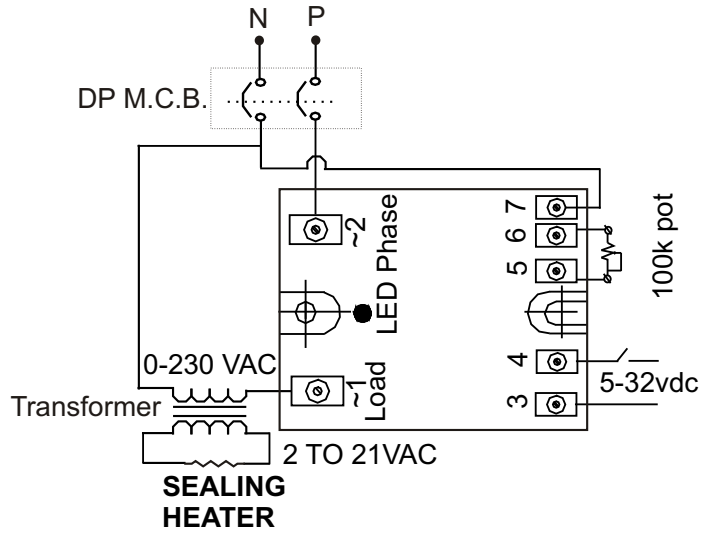


Impulse sealing of Heater



Precaution :

- ⇒ Please connect phase on terminal "2" only & Load on terminal "1" otherwise SSR will not operate.