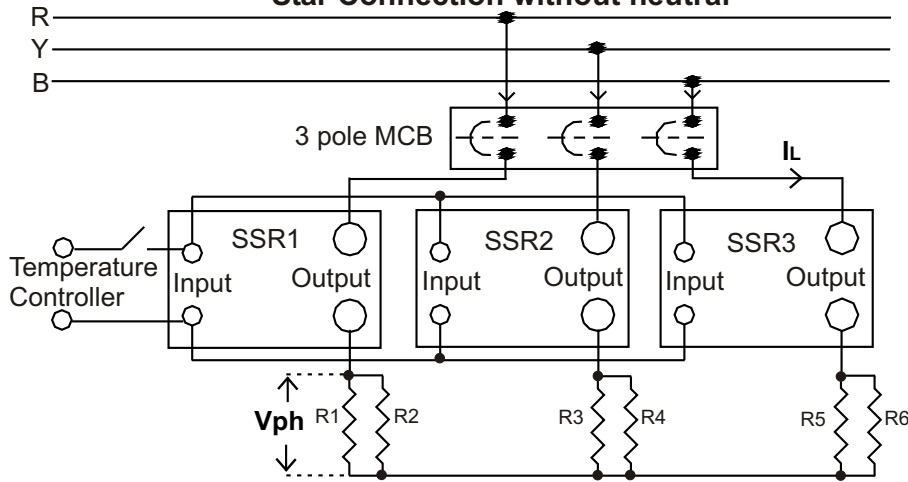
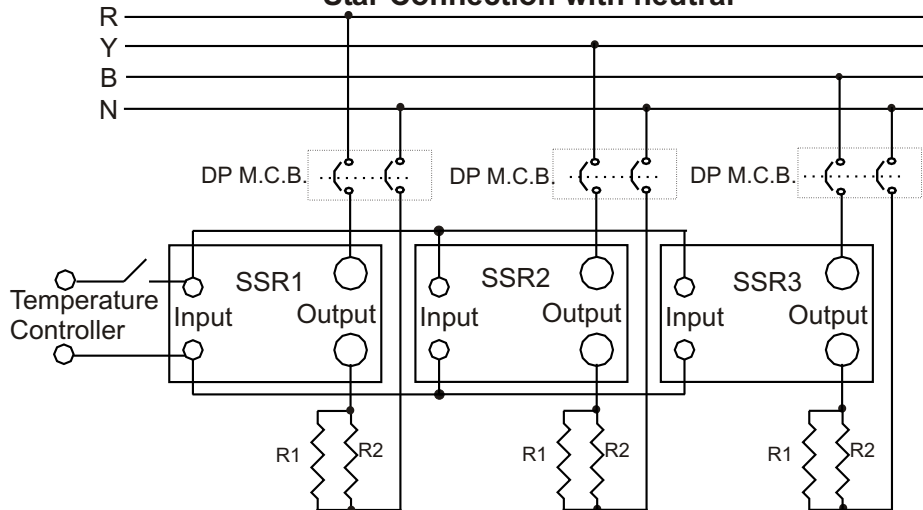


ON/OFF type of SSR

**Circuit diagram 801/707 model - ON/OFF type
Star Connection without neutral**



**Circuit diagram 801/707 model - ON/OFF type
Star Connection with neutral**



**Circuit diagram 801/707 model - ON/OFF type
Delta Connection without neutral**

