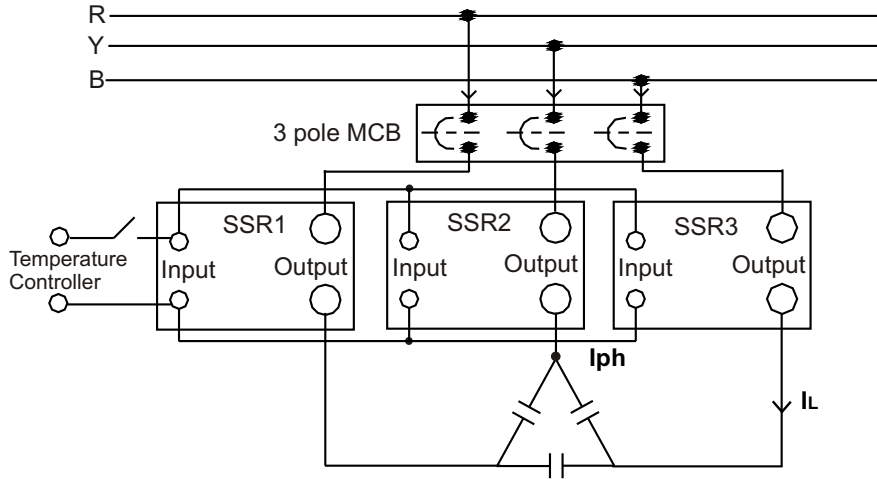


## Application

### Selection of SSR for Capacitor load



Type of SSR	KVAR Rating	Series Inductor Value of rated current	Current at 440VAC	Heat Sink
UNI 801 ZDA 48 50 00	3 to 9KVAR	100 micro Henry	4 to 12Amp	B
UNI 801 ZDA 48 90 00	15 KVAR	150 micro Henry	20 Amp	C
UNI 707 ZDA 48 150 00	20 KVAR	200 micro Henry	26 Amp	X / V
UNI 707 ZDA 48 200 00	25 KVAR	300 micro Henry	33 Amp	O/V