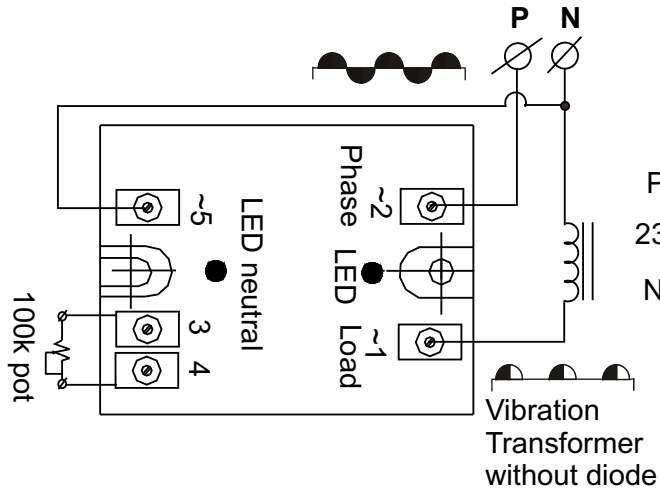
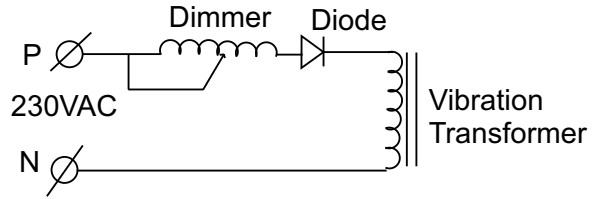


Vibration SSR by 100k-10turn pot New System Vibration Unit Circuit diagram



Old System Vibration Unit Circuit diagram



Precaution :

- ⇒ Please connect phase on terminal "2" only & Load on terminal "1" otherwise SSR will Not operate.