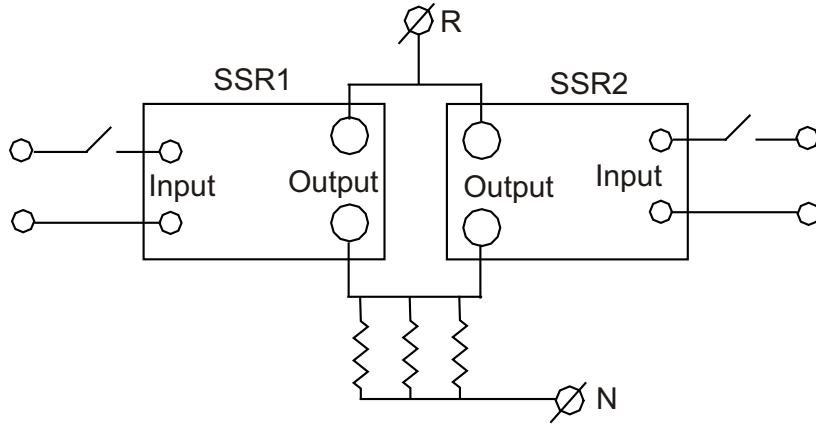
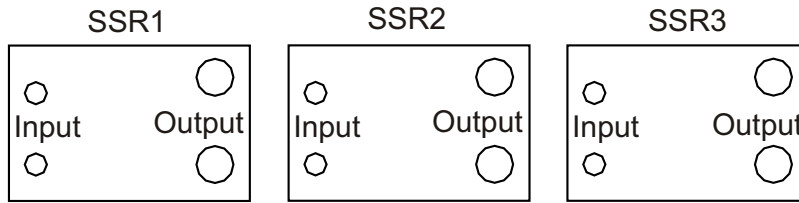


Wrong connection



Parallel the SSR not possible to increased the load current capacity



Wrong mounting of SSR due to I/P. DC - O/P. AC Very near