

AC Voltage controller Half / Full

Input control: 0-10VDC or 4-20mA or 100k Pot
Full Output control: 0-230VAC/0-440VAC

Proportional in case of full way for **inductive load**

Half output control: Half Cycle phase fire control for **vibration transformer load**.

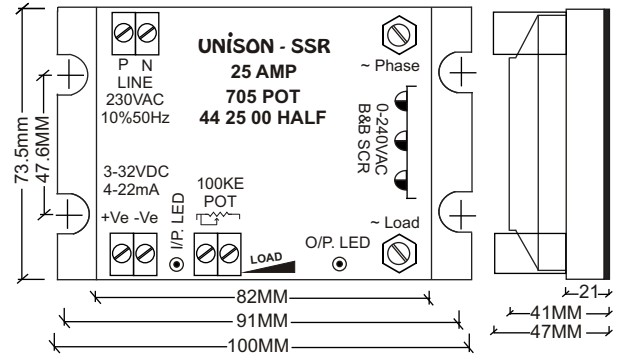
Control voltage : 2-32VDC / 2-20mA

Supply voltage : 230Vrms \pm 10% 50 Hz

The 100K POT price is Extra

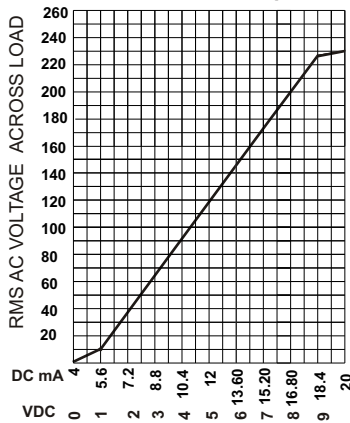
Precaution

If supply voltage is 230vrms of "Y" & "N" phase then load is also to be connected between "Y" & "N" neutral phase only.



Output	Input	CONDITION
Red LED	Green LED	SSR
OFF	ON	Healthy-ON
ON	OFF	Healthy-Off

Performance Graph



TYPE NO	OUTPUT		Load Current with Heat Sink		Fusing current I ² T	Type of Heat Sink	Indian@ Rs./Each single	
	Voltage	Current amp at 20°C	at 55°C	AC-3				
Input : 4-20mA/165E or 0-10VDC/650E controls voltage 2 to 32 VDC, 2-20mA								
705	PHT 44 25 420 FULL	24 TO	25	20	-	500A ² S	E	1700.00
705	PHT 44 50 420 FULL	440VAC	50	38	15	3000A ² S	E	1800.00
705	PHT 44 90 420 FULL	(1200PIV)	90	65	30	7200A ² S	L	2400.00
Input : 4-20mA/165E or 0-10VDC/650E controls voltage 2 to 32 VDC, 2-20mA								
705	PHT 44 25 420 HALF	24 TO	25	20	-	500A ² S	E	1600.00
705	PHT 44 50 420 HALF	440VAC	50	38	15	3000A ² S	E	1700.00
705	PHT 44 90 420 HALF	(1200PIV)	90	65	30	7200A ² S	L	2000.00
Input : 100k Pot controls voltage 2 to 32 VDC, 2-20mA								
705	POT 44 25 00 FULL	24 TO	25	20	-	500A ² S	E	1200.00
705	POT 44 50 00 FULL	440VAC	50	38	15	3000A ² S	E	1400.00
705	POT 44 90 00 FULL	(1200PIV)	90	65	30	7200A ² S	L	2000.00
Input : 100k Pot controls voltage 2 to 32 VDC, 2-20mA								
705	POT 44 25 00 HALF	24 TO	25	20	-	500A ² S	E	1100.00
705	POT 44 50 00 HALF	440VAC	50	38	15	3000A ² S	E	1200.00
705	POT 44 90 00 HALF	(1200PIV)	90	65	30	7200A ² S	L	1500.00