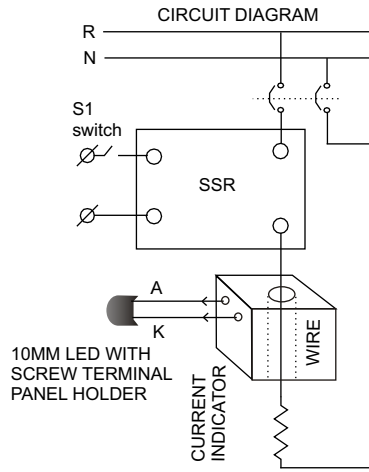
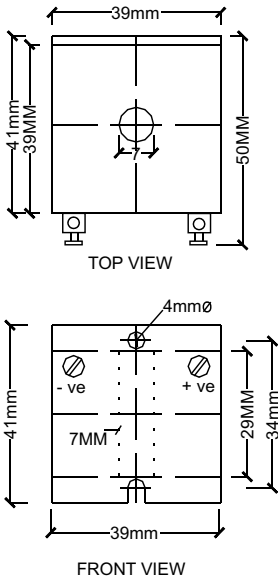
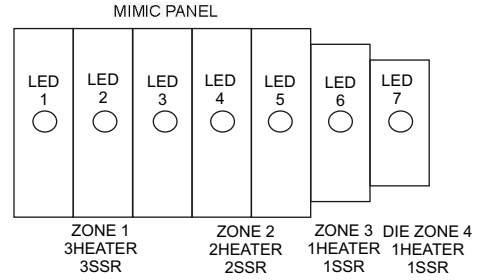


Current Indicator



Weight : @85 gms.



C.T. Type

**Indian@
Rs./Each
100nos>**

3 AMP

285.00

10 AMP

290.00

- ⇒ No need of external power supply
- ⇒ Current flows thru load only then LED will glow
- ⇒ Principle of electro magnetic voltage/current.
- ⇒ Red LED bright and seen up to 10 feet away
- ⇒ 10mm LED with screw type terminal mounted on front panel(Panel dia 13.5mm)