

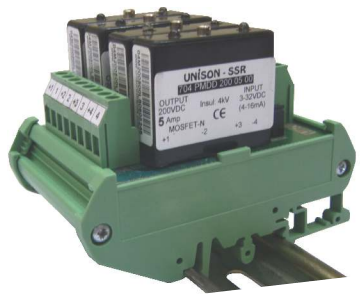
Interface Relay Card - 704

8 SSR CARD
101mm(L)X90mm(W)X66mm(H)



SSR & CARD
Weight : @325 gms.

4 SSR CARD
53mm(L)X90mm(W)X66mm(H)



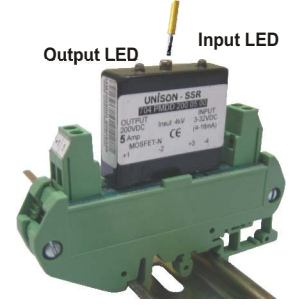
SSR & CARD
Weight : @170 gms.

2 SSR CARD
29mm(L)X90mm(W)X66mm(H)



SSR & CARD
Weight : @95 gms.

1 SSR CARD
17mm(L)X90mm(W)X66mm(H)

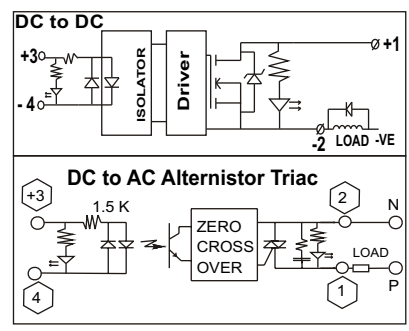


SSR & CARD
Weight : @40 gms.

DC to AC/ DC to DC card Phoenix make Din rail & Connector



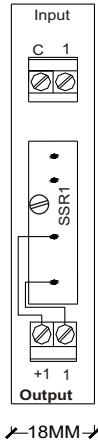
Available plug in type cage clamp PCB Terminal block



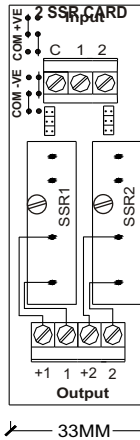
SSR TYPE NO	OUTPUT			Nos of S.S.R.	Indian@ Rs./Each 100nos>	
	Voltage	Current amp at 20°C	Current amp at 55°C			
DC TO AC INPUT : 3VDC TO 32VDC, Min. 4mA - Max.16mA						
704	ZDA 33 03 00 ALTERNISTOR TRIAC	24-330VAC	12Amp	3Amp	1no.	470.00
					2no.	750.00
					4no.	1400.00
					8no.	2550.00
704	ZDA 48 05 00 BACK TO BACK SCR	24-480VAC	25Amp	5Amp	1no.	580.00
					2no.	875.00
					4no.	1800.00
					8no.	3200.00
DC TO DC INPUT : 3VDC TO 32VDC, Min. 4mA - Max.16mA						
704	PMDD 200 05 00 Power MOSFET	200VDC	18Amp	5Amp	1no.	490.00
					2no.	780.00
					4no.	1450.00
					8no.	2600.00

15

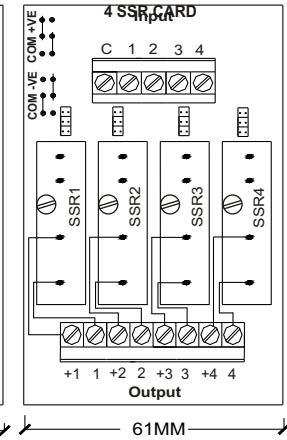
1 SSR CARD



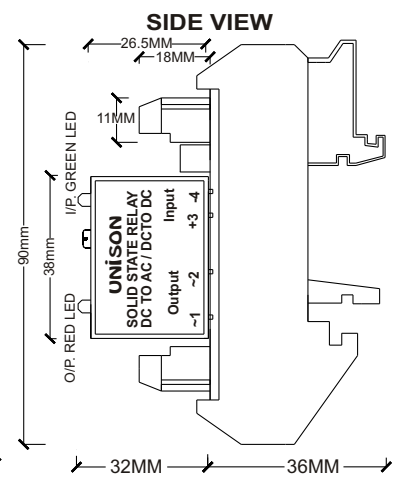
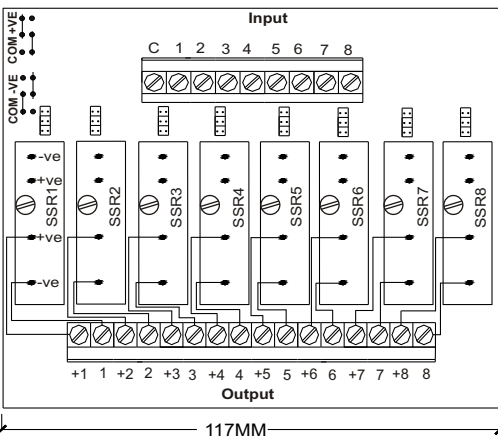
2 SSR CARD



4 SSR CARD



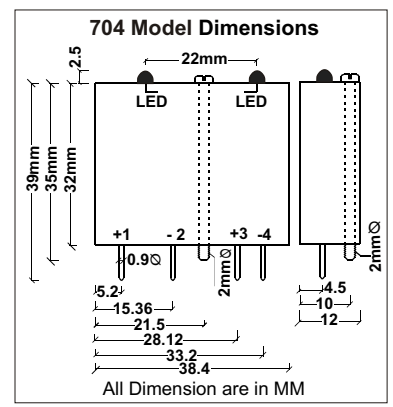
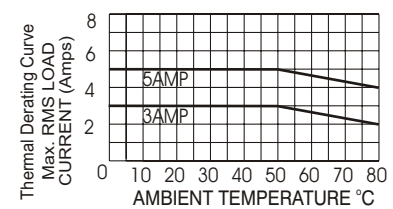
8 SSR CARD



- ⇒ Plug in type SSR with screw fitting
- ⇒ Opto Isolation 2500Vrms
- ⇒ Input LED indication (Green)
- ⇒ Output reversed LED indication (Red)
- ⇒ Input +ve or -ve common selectable
- ⇒ DC to AC type S.S.R.
- ⇒ Output is back to back SCR
- ⇒ DC side Mosfet output for 300micro second ON/OFF period

Difference of Power MOSFET & Transistor at Output of DC side

Power MOSFET	Transistor
High Speed ON/OFF (High Frequency)	Low speed ON/OFF
High Power capacity	Low power capacity
Voltage drop across Power Mosfet is less	Voltage drop across transistor is more
Size of heat sink less	Size of heat sink is more



Note : Prices & Specifications are subject to change without prior notice.