

# Interface relay card with Fuse - 703

ISOLATED HEAT SINK  
Price Rs. 20/- each

8 SSR CARD  
125mm(L)X90mm(W)X66mm(H)



SSR & CARD Weight : @260 gms.

4 SSR CARD  
65mm(L)X90mm(W)X66mm(H)



SSR & CARD Weight : @135 gms.

2 SSR CARD  
35mm(L)X90mm(W)X66mm(H)  
2AMP FUSE LINK  
(5MMOX20MM(L))



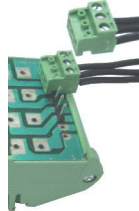
SSR & CARD Weight : @75 gms.

1 SSR CARD  
20mm(L)X90mm(W)X66mm(H)



SSR & CARD Weight : @35 gms.

- ⇒ Plug in type SSR
- ⇒ Input LED indication (Green)
- ⇒ Output reversed LED indication (Red)
- ⇒ Input +ve or -ve common selectable
- ⇒ Opto Isolation 2500Vrms
- ⇒ Output fuse fail indication (Red)
- ⇒ Relay with isolated heat sink
- ⇒ 2-Amp fuse inbuilt

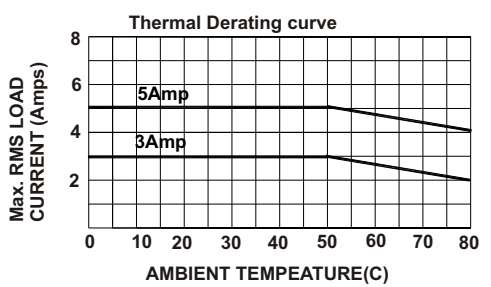
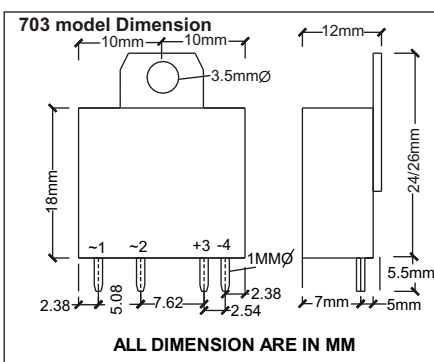
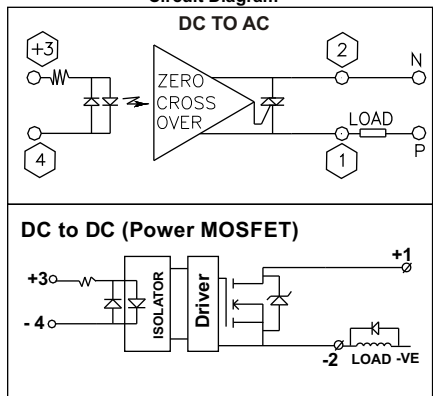
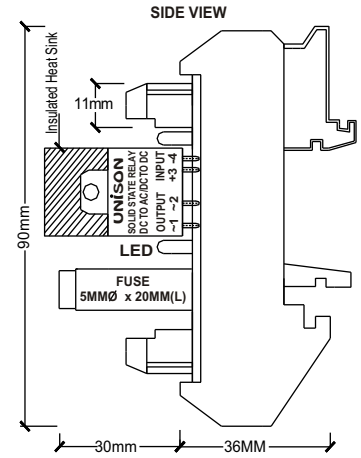
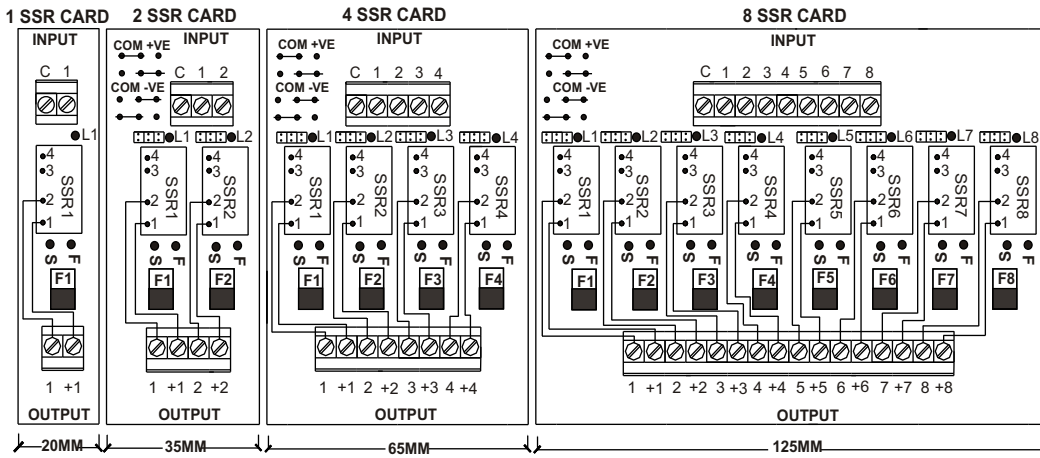


Available plug in type cage clamp PCB Terminal block

Input Green LED	Output SSR Red LED (S)	Output Fuse Red LED (F)	Condition
ON	OFF	OFF	Healthy
OFF	ON	OFF	Healthy
OFF	ON	ON	Fuse fail SSR O.K.
OFF	OFF	ON	Fuse Fail SSR Fail
OFF	OFF	OFF	Fuse O.K. SSR Fail

DC to AC/ DC to DC card Phoenix make Din rail & Connector

SSR TYPE NO	Voltage	OUTPUT		Nos of S.S.R.	Indian@ Rs./Each 100nos>	
		Current amp at 20°C	Current amp at 55°C			
<b>DC TO AC INPUT : 5/12/24VDC,5mA</b>						
703	ZDA 33 03 05 ALTERNISTOR TRIAC	24-330VAC	12Amp	3Amp	1no.	500.00
					2no.	800.00
					4no.	1450.00
					8no.	2700.00
703	ZDA 48 05 05 ALTERNISTOR TRIAC	24-480VAC	40Amp	5Amp	1no.	595.00
					2no.	1025.00
					4no.	1900.00
					8no.	3500.00
<b>DC TO DC INPUT : 5/12/24VDC,5mA</b>						
703	PMDD 200 05 05 Power MOSFET	200VDC	5Amp	3Amp	1no.	500.00
					2no.	790.00
					4no.	1475.00
					8no.	2775.00



Note : Prices & Specifications are subject to change without prior notice.