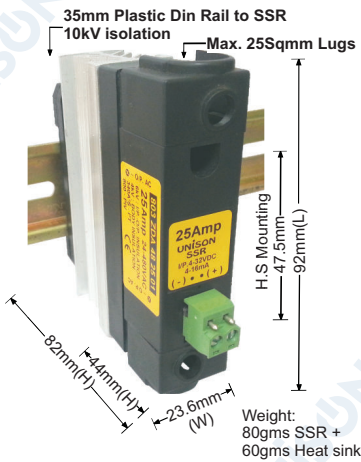


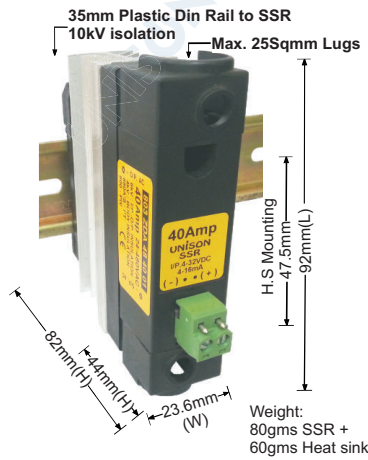
SINGLE PHASE POWER SEMICONDUCTOR SOLID STATE RELAY AC - MODEL 803

25AMP-MODEL 803 ZDA 48 25 01
WITH "V-87" H.S.



Model 803 - 25Amp
Zero Cross Over SSR
Input : 4-32VDC/4-16mA, Input LED Indication : Red
Output : 24-480VAC (47-63 Hz)
PIV : 800Vpk, I_{FT} : 340A²S for 9.6mS
Body isolation : 4kV for 1min
I/P. to O/P. isolation : 6kV for 1min
Load Current : 18Amp @ 40 °C With Heat Sink V-87+Din

40AMP-MODEL 803 ZDA 48 40 01
WITH "V-87" H.S.



Model 803 - 40Amp
Zero Cross Over SSR
Input : 4-32VDC/4-16mA, Input LED Indication : Red
Output : 24-480VAC (47-63 Hz)
PIV : 800Vpk, I_{FT} : 880A²S for 9.6mS
Body isolation : 4kV for 1min
I/P. to O/P. isolation : 6kV for 1min
1.) Load Current : 20AMP @ 40 °C With Heat Sink V-87+DIN
2.) Load Current : 30AMP @ 40 °C With Heat Sink B-24+DIN

50AMP-MODEL 803 ZDA 58 50 01
WITH "V-87" H.S.



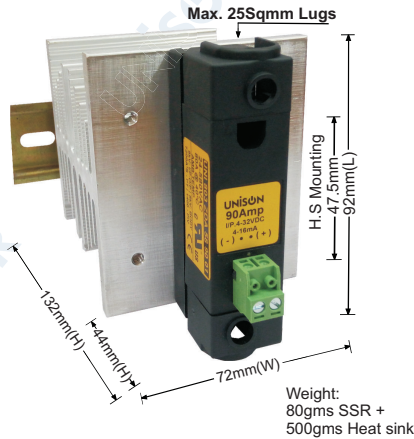
Model 803 - 50Amp
Zero Cross Over SSR
Input : 4-32VDC/4-16mA, Input LED Indication : Red
Output : 24-580VAC (47-63 Hz)
Short Circuit Protection by "B" Curve DP MCB.
15Amp Load Current/16Amp "B" Curve DP MCB
PIV : 1400Vpk, I_{FT} : 3000A²S for 9.6mS
Body isolation : 4kV for 1min
I/P. to O/P. isolation : 8kV for 1min
1.) Load Current : 22AMP @ 40 °C With Heat Sink V-87+Din
2.) Load Current : 30AMP @ 40 °C With Heat Sink B-24+Din
3.) Load Current : 40AMP @ 40 °C With Heat Sink B-72+Din
Short Circuit Current Rating : 10KA for <3mS

50AMP-MODEL 803 ZDA 58 50 01
WITH "B-24" H.S.



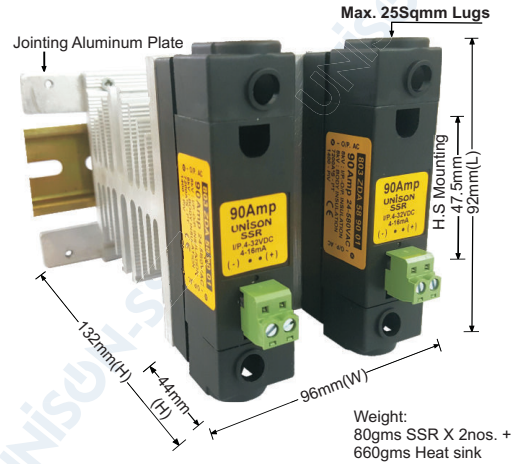
Model 803 - 50Amp
Zero Cross Over SSR
Input : 4-32VDC/4-16mA, Input LED Indication : Red
Output : 24-580VAC (47-63 Hz)
Short Circuit Protection by "B" Curve DP MCB.
15Amp Load Current/16Amp "B" Curve DP MCB
PIV : 1400Vpk, I_{FT} : 3000A²S for 9.6mS
Body isolation : 4kV for 1min
I/P. to O/P. isolation : 8kV for 1min
1.) Load Current : 22AMP @ 40 °C With Heat Sink V-87+Din
2.) Load Current : 30AMP @ 40 °C With Heat Sink B-24+Din
3.) Load Current : 40AMP @ 40 °C With Heat Sink B-72+Din
Short Circuit Current Rating : 10KA for <3mS

90AMP-MODEL 803 ZDA 58 90 01
WITH "B-72" H.S.



Model 803 - 90Amp
Zero Cross Over SSR
Input : 4-32VDC/4-16mA, Input LED Indication : Red
Output : 24-580VAC (47-63 Hz)
Short Circuit Protection by "B" Curve DP MCB.
63Amp Load Current/63Amp "B" Curve DP MCB
PIV : 1400Vpk, I_{FT} : 7200A²S for 9.6mS
Body isolation : 4kV for 1min
I/P. to O/P. isolation : 8kV for 1min
1.) Load Current : 36AMP @ 40 °C With Heat Sink B-48+Din
2.) Load Current : 60AMP @ 40 °C With Heat Sink B-72+Din
Short Circuit Current Rating : 10KA for <3mS

90AMP-MODEL 803 ZDA 58 90 01
2 NOS. SSR WITH "B-96" H.S.

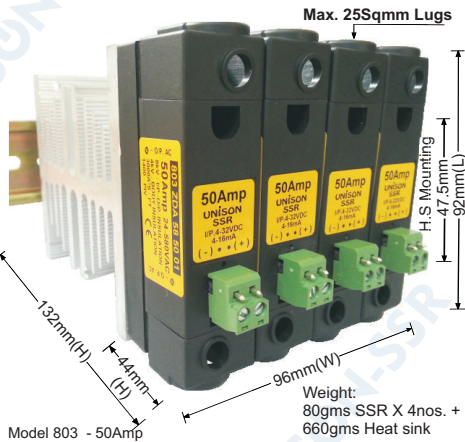


Model 803 - 90Amp
Zero Cross Over SSR
Input : 4-32VDC/4-16mA, Input LED Indication : Red
Output : 24-580VAC (47-63 Hz)
Short Circuit Protection by "B" Curve DP MCB.
63Amp Load Current/63Amp "B" Curve DP MCB
PIV : 1400Vpk, I_{FT} : 7200A²S for 9.6mS
Body isolation : 4kV for 1min
I/P. to O/P. isolation : 8kV for 1min
1.) Load Current : 36AMP @ 40 °C With Heat Sink B-48+Din
2.) Load Current : 60AMP @ 40 °C With Heat Sink B-72+Din
3.) Load Current : 40 X 2 = 80AMP @ 40 °C With Heat Sink B-96+Din
Short Circuit Current Rating : 10KA for <3mS

Approved By **CE** **LEAD - FREE**
RoHS
EN-60947-5-1 **COMPLIANT**

SINGLE PHASE POWER SEMICONDUCTOR SOLID STATE RELAY AC - MODEL 803

**50AMP-MODEL 803 ZDA 58 50 01
4 NOS. SSR WITH "B-96" H.S.**

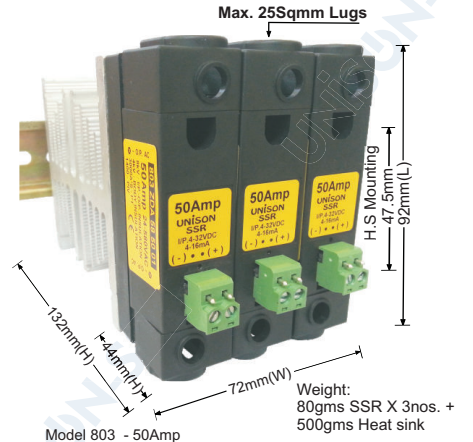


Model 803 - 50Amp
Zero Cross Over SSR
Input : 4-32VDC/4-16mA, Input LED Indication : **Red**
Output : 24-580VAC (47-63 Hz)
Short Circuit Protection by "B" Curve DP MCB.
15Amp Load Current/16Amp "B" Curve DP MCB
PIV : 1400Vpk, I^T : 3000A²S for 9.6ms
Body isolation : 4kV for 1min
I/P. to O/P. isolation : 8kV for 1min
Load Current : 16AMP X 4Nos. = 64 AMP @ 40 °C
With Heat Sink B-96+Din
Short Circuit Current Rating : 10KA for <3ms



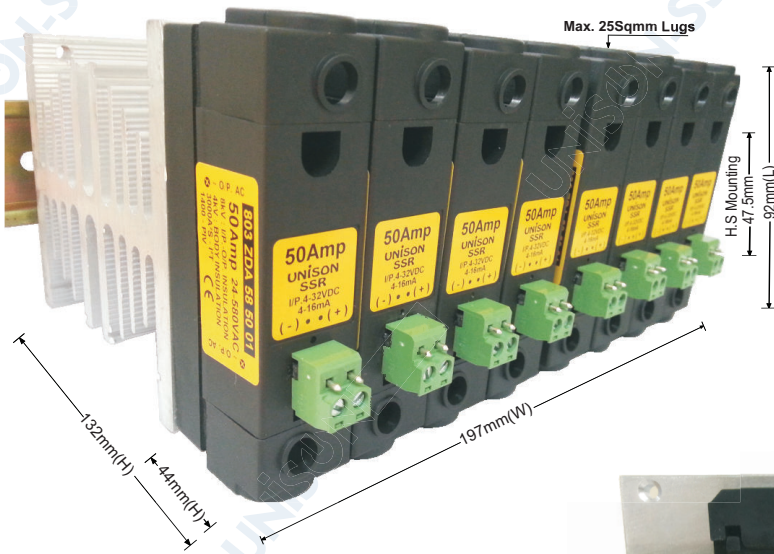
**DBC used in our 803 Model
75Amp, 90Amp,
150Amp, 200Amp**

**50AMP-MODEL 803 ZDA 58 50 01
3 NOS. SSR WITH "B-72" H.S.**

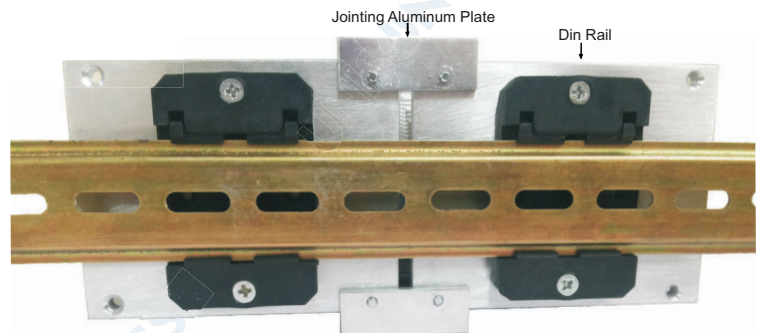
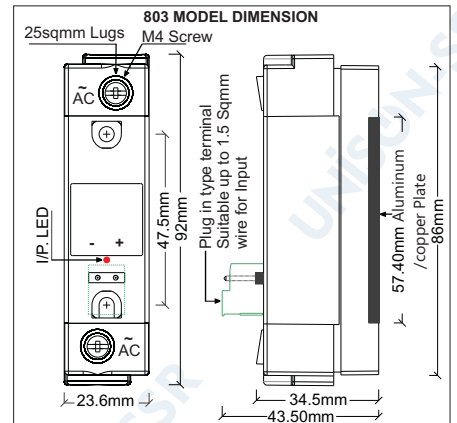


Model 803 - 50Amp
Zero Cross Over SSR
Input : 4-32VDC/4-16mA, Input LED Indication : **Red**
Output : 24-580VAC (47-63 Hz)
Short Circuit Protection by "B" Curve DP MCB.
15Amp Load Current/16Amp "B" Curve DP MCB
PIV : 1400Vpk, I^T : 3000A²S for 9.6ms
Body isolation : 4kV for 1min
I/P. to O/P. isolation : 8kV for 1min
Load Current : 16AMP X 3Nos. = 48AMP @ 40 °C
With Heat Sink B-72+Din
Short Circuit Current Rating : 10KA for <3ms

50AMP-MODEL 803 ZDA 58 50 01 WITH TWO B-96 + JOINT PLATS 8 NOS. SSR



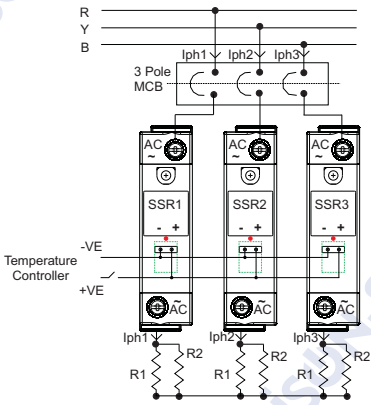
Heat Sink B-96+Din Rail connected by
Jointing Aluminum Plate for uniform heat dissipation.
After mounting of SSR with Heat sink +
Jointing Aluminum Plate
you can din rail on 35mm Din channel.



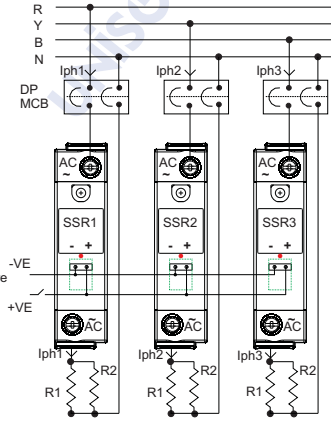
Approved By
CE
EN-60947-5-1
**LEAD - FREE
RoHS
COMPLIANT**

SINGLE PHASE POWER SEMICONDUCTOR SOLID STATE RELAY AC - MODEL 803

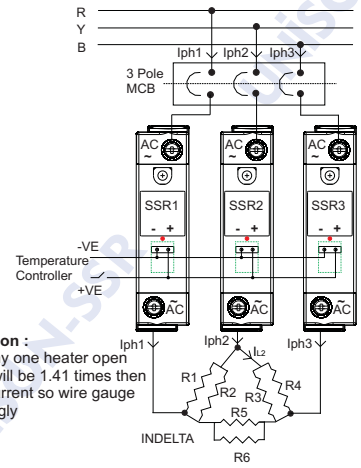
**Circuit diagram 803 model - ON/OFF type
Star Connection without neutral**



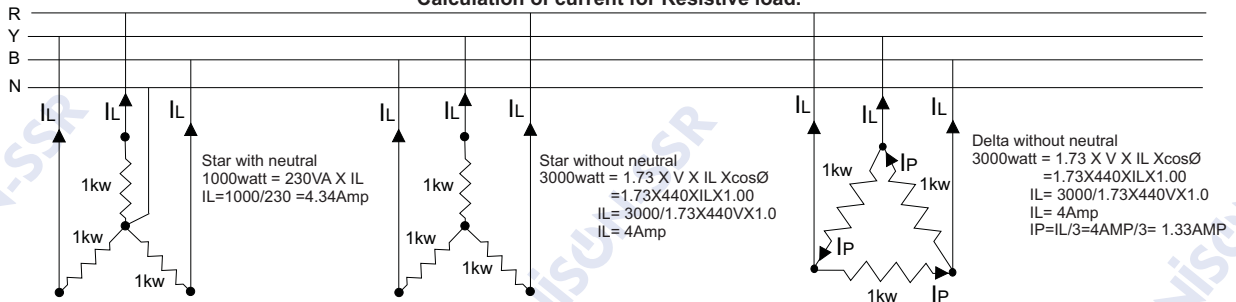
**Circuit diagram 803 model - ON/OFF type
Star Connection with neutral**



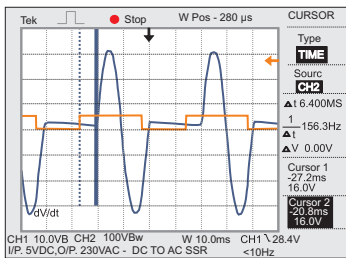
**Circuit diagram 803 model - ON/OFF type
Closed Delta Connection**



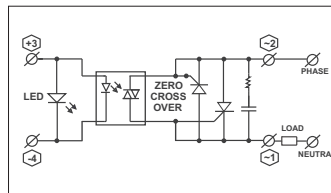
Calculation of current for Resistive load.



Zero Crossover Waveform - Output



DC to AC - Circuit Diagram



- ⇒ INBUILT Snubber for protect the Harmonic & Power Factor.
- ⇒ INBUILT TVS protect Surge Voltage.