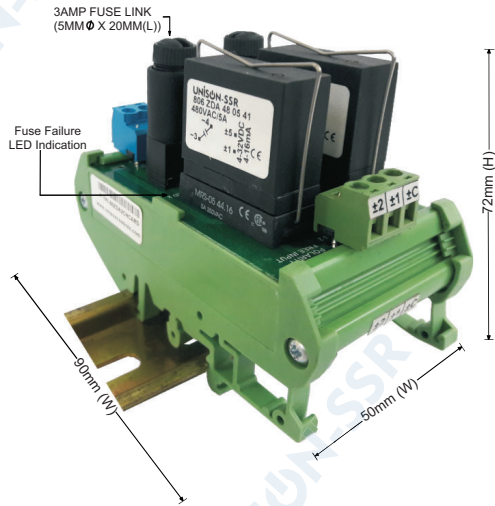
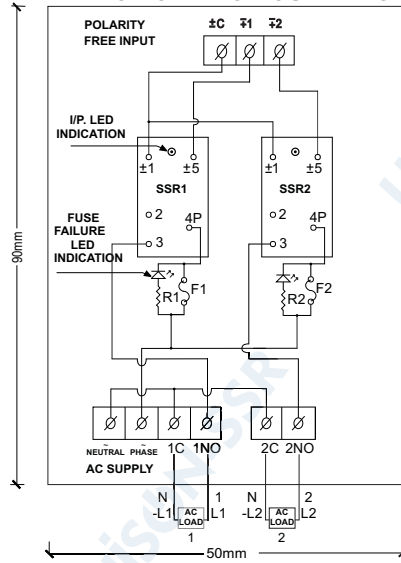


INTERFACE RELAY CARD WITH FUSE MODEL 806 CARD

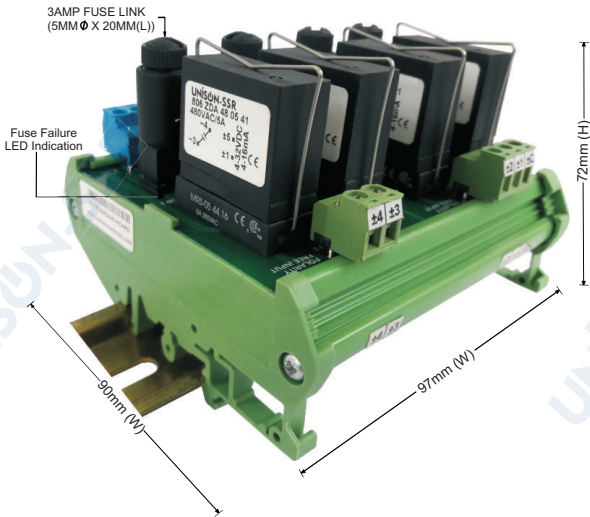
2 CHANNEL DC TO AC INTERFACE CARD



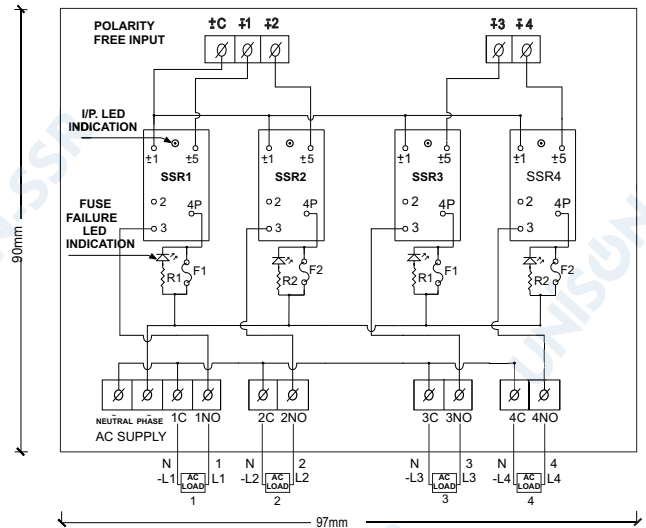
2 CHANNEL DC TO AC INTERFACE CARD CIRCUIT DIAGRAM



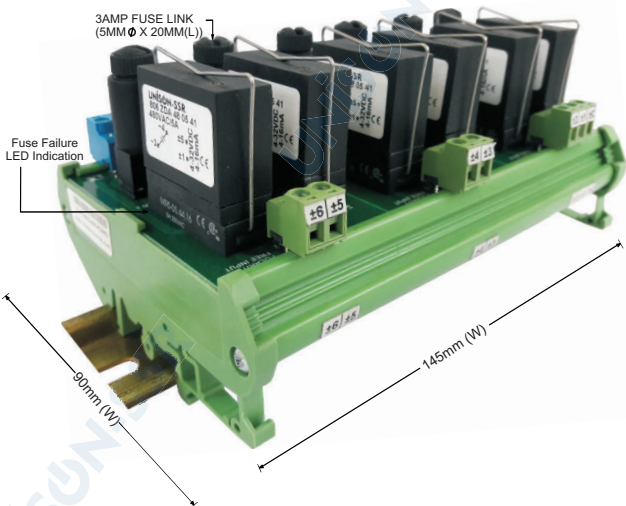
4 CHANNEL DC TO AC INTERFACE CARD



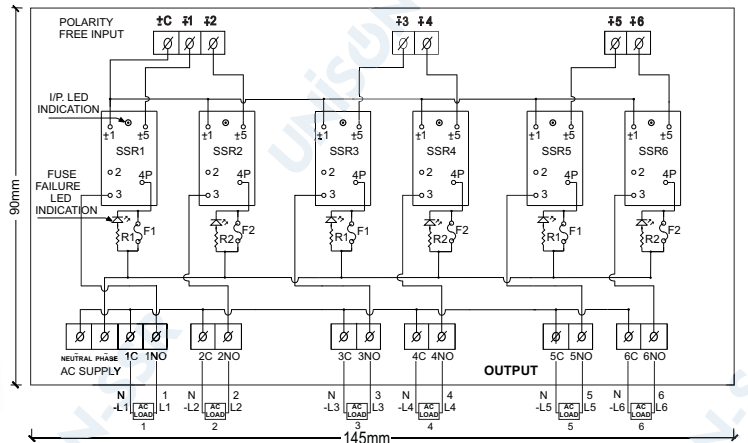
4 CHANNEL DC TO AC INTERFACE CARD CIRCUIT DIAGRAM



6 CHANNEL DC TO AC INTERFACE CARD

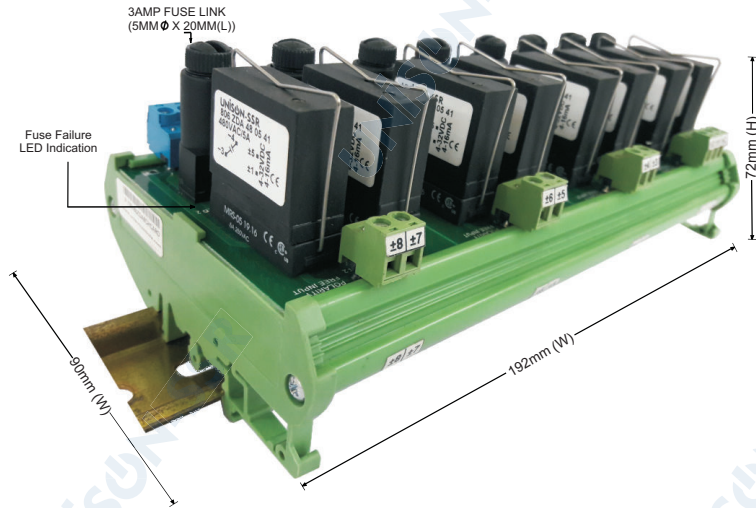


6 CHANNEL DC TO AC INTERFACE CARD CIRCUIT DIAGRAM



INTERFACE RELAY CARD WITH FUSE MODEL 806 CARD

8 CHANNEL DC TO AC INTERFACE CARD



8 CHANNEL DC TO AC INTERFACE CARD CIRCUIT DIAGRAM

