

DC TO DC SOLID STATE RELAY - MODEL 808

MODEL 808 PMDD 200 12 00 WITH "G-30" H.S.



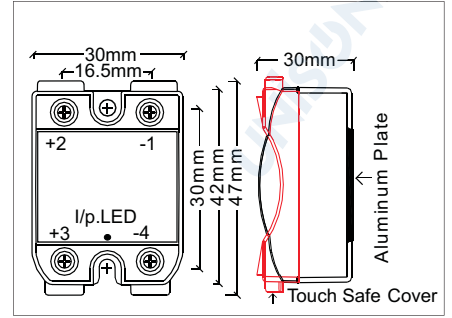
Weight: 40gms SSR +
40gms Heat sink

6AMP-MODEL 808 PMDD 500 02 00 WITH "G-30" H.S.



Weight: 40gms SSR +
40gms Heat sink

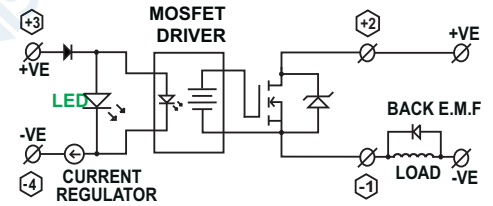
808 Model Dimension



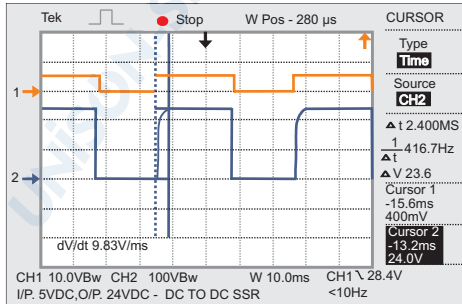
Model 808 - 200VDC/12Amp
Input: 3-32VDC/4-20mA
Input LED Indication : **Green**
Output : 5-200VDC (MOSFET)
ON State Voltage Drop : ≤ 1 VDC
Body isolation : 2.5kV for 1min
I/P. to O/P. isolation : 2.5kV for 1min
Load Current : 8Amp @ 55 °C
With Heat Sink G-30+Din
Turn ON time : 2.5 mS
Turn OFF time : 40 μ S

Model 808 - 500VDC/02Amp
Input: 3-32VDC/4-20mA
Input LED Indication : **Green**
Output : 5-500VDC (MOSFET)
ON State Voltage Drop : ≤ 1.8 VDC
Body isolation : 2.5kV for 1min
I/P. to O/P. isolation : 2.5kV for 1min
Load Current : 2Amp @ 55 °C
With Heat Sink G-30+Din
Turn ON time : 2.5 mS
Turn OFF time : 40 μ S

PMDD- POWER MOSFET DC TO DC



Switching Response Time Waveform of Power MOSFET



DC to DC Power MOSFET Forward/Reverse of DC motor (H-Bridge)

