

# Linear Micro-controller PHASE ANGLE CONTROL SOLID STATE RELAY - MODEL 901

## 50AMP-MODEL 901 MCPHT 48 50 420 AL5 WITH "G-68" H.S.



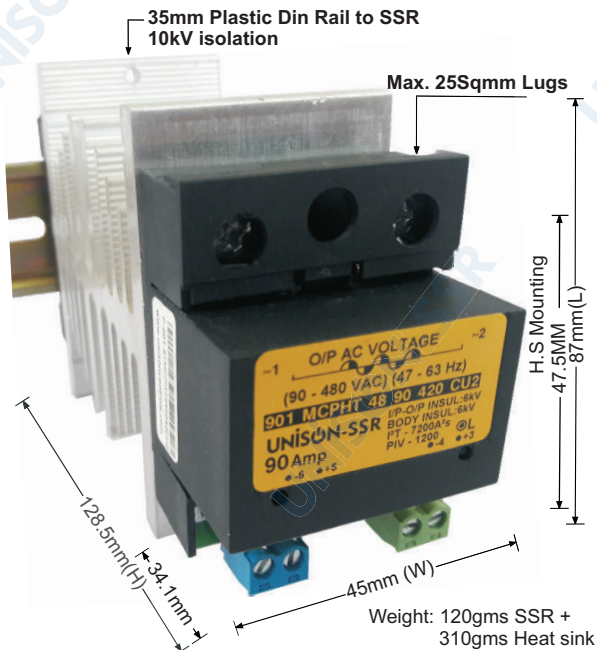
Model 901 - 50Amp  
Input: 4 to 20mA/51E or 0-10VDC/1ME  
Fix Supply : 24VDC/30mA  
Output : 90-480VAC (47-63 Hz)  
Short Circuit Protection by "B" Curve DP MCB  
15Amp Load Current/16Amp "B" Curve DP MCB  
PIV : 1600Vpk, I<sup>2</sup>T : 3000A<sup>2</sup>S for 9.6mS  
Body isolation : 6kV for 1min  
I/P. to O/P. isolation : 6kV for 1min  
1.) Load Current : 26AMP @ 40 °C + Heat Sink G-68+Din  
2.) Load Current : 32AMP @ 40 °C + Heat Sink B-48+Din  
Short Circuit Current Rating : 10kA for <3mS

## 50AMP-MODEL 901 MCPHT 48 50 010 AL5 WITH "G-68" H.S.



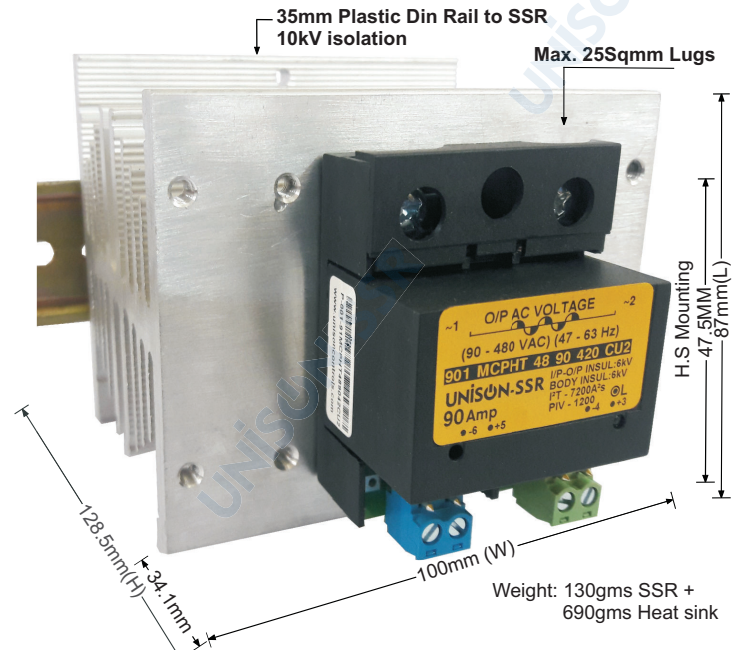
Model 901 - 50Amp  
Input: 4 to 20mA/51E or 0-10VDC/1ME  
Fix Supply : 24VDC/30mA  
Output : 90-480VAC (47-63 Hz)  
Short Circuit Protection by "B" Curve DP MCB  
15Amp Load Current/16Amp "B" Curve DP MCB  
PIV : 1600Vpk, I<sup>2</sup>T : 3000A<sup>2</sup>S for 9.6mS  
Body isolation : 6kV for 1min  
I/P. to O/P. isolation : 6kV for 1min  
1.) Load Current : 26AMP @ 40 °C + Heat Sink G-68+Din  
2.) Load Current : 32AMP @ 40 °C + Heat Sink B-48+Din  
Short Circuit Current Rating : 10kA for <3mS

## 90AMP-MODEL 901 MCPHT 48 90 420 CU2 WITH "B-48" H.S.



Model 901 - 90Amp  
Input: 4 to 20mA/51E or 0-10VDC/1ME  
Fix Supply : 24VDC/30mA  
Output : 90-480VAC (47-63 Hz)  
Short Circuit Protection by "B" Curve DP MCB  
63Amp Load Current/63Amp "B" Curve DP MCB  
PIV : 1600Vpk, I<sup>2</sup>T : 3000A<sup>2</sup>S for 9.6mS  
Body isolation : 6kV for 1min  
I/P. to O/P. isolation : 6kV for 1min  
1.) Load Current : 36AMP @ 40 °C + Heat Sink B-48+Din  
2.) Load Current : 65AMP @ 40 °C + Heat Sink A-100+Din  
Short Circuit Current Rating : 10kA for <3mS

## 90AMP-MODEL 901 MCPHT 48 90 420 CU2 WITH "A-100" H.S.

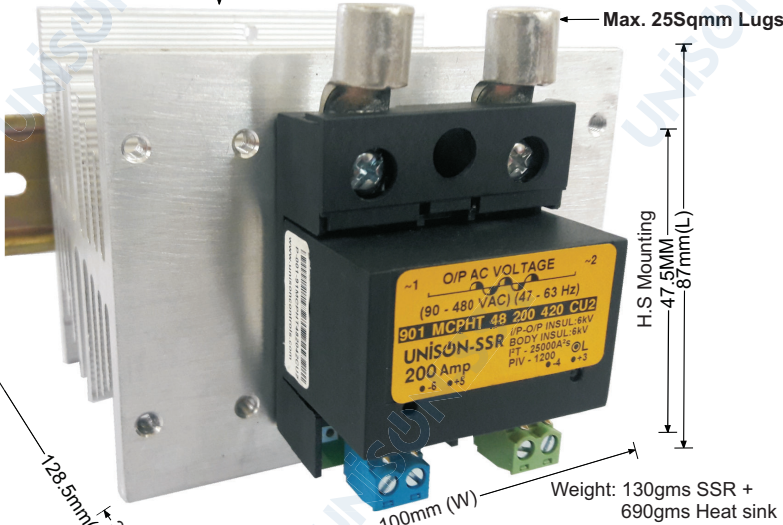


Model 901 - 90Amp  
Input: 4 to 20mA/51E or 0-10VDC/1ME  
Fix Supply : 24VDC/30mA  
Output : 90-480VAC (47-63 Hz)  
Short Circuit Protection by "B" Curve DP MCB  
63Amp Load Current/63Amp "B" Curve DP MCB  
PIV : 1600Vpk, I<sup>2</sup>T : 3000A<sup>2</sup>S for 9.6mS  
Body isolation : 6kV for 1min  
I/P. to O/P. isolation : 6kV for 1min  
1.) Load Current : 36AMP @ 40 °C + Heat Sink B-48+Din  
2.) Load Current : 65AMP @ 40 °C + Heat Sink A-100+Din  
Short Circuit Current Rating : 10kA for <3mS

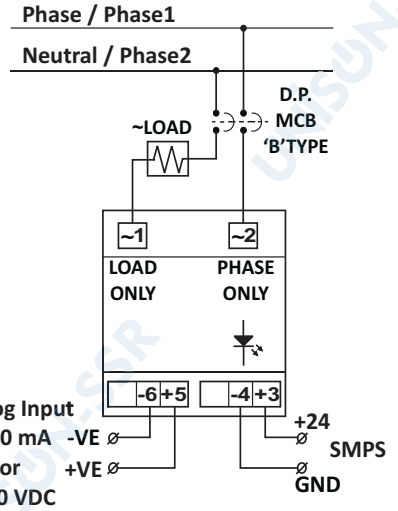
# Linear Micro-controller PHASE ANGLE CONTROL SOLID STATE RELAY - MODEL 901

**200AMP-MODEL 901 MCPHT 48 200 420 CU2**  
**WITH "A-100" H.S.**

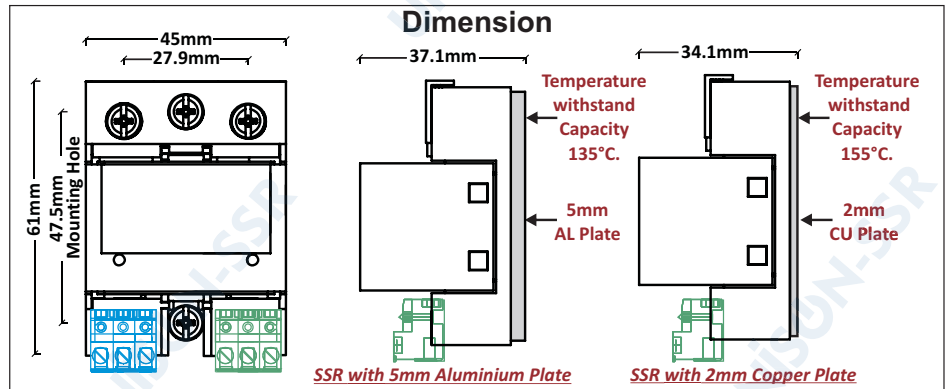
35mm Plastic Din Rail to SSR  
 10kV isolation



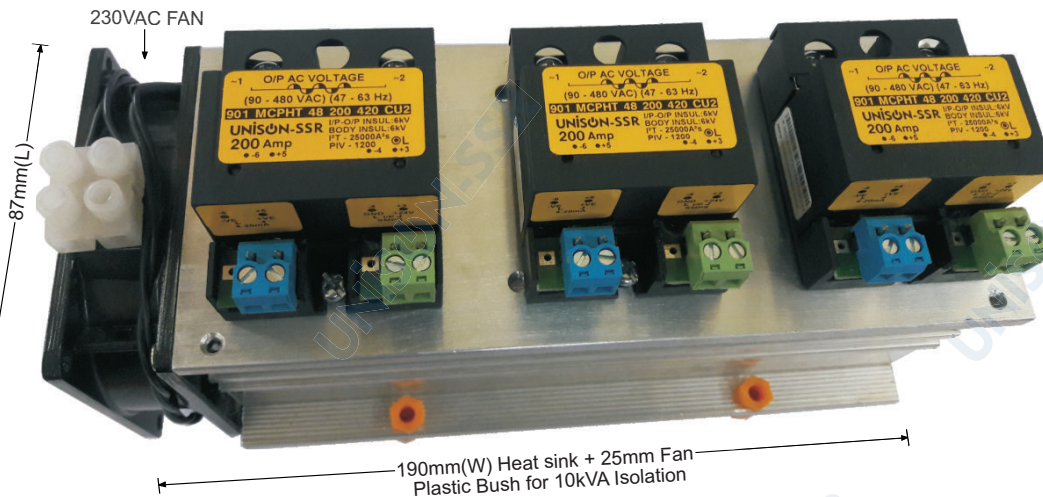
## CONNECTION DIAGRAM



Model 901 - 200Amp  
 Input: 4 to 20mA/51E or 0-10VDC/1ME  
 Fix Supply : 24VDC/30mA  
 Output : 90-480VAC (47-63 Hz)  
 Short Circuit Protection by "B" Curve DP MCB  
 115Amp Load Current/125Amp "B" Curve DP MCB  
 PIV : 1600Vpk, I²T : 25000A²S for 9.6mS  
 Body isolation : 6kV for 1min  
 I/P. to O/P. isolation : 6kV for 1min  
 Load Current : 80AMP @ 40 °C + Heat Sink A-100+Din  
 Short Circuit Current Rating : 10kA for <3mS



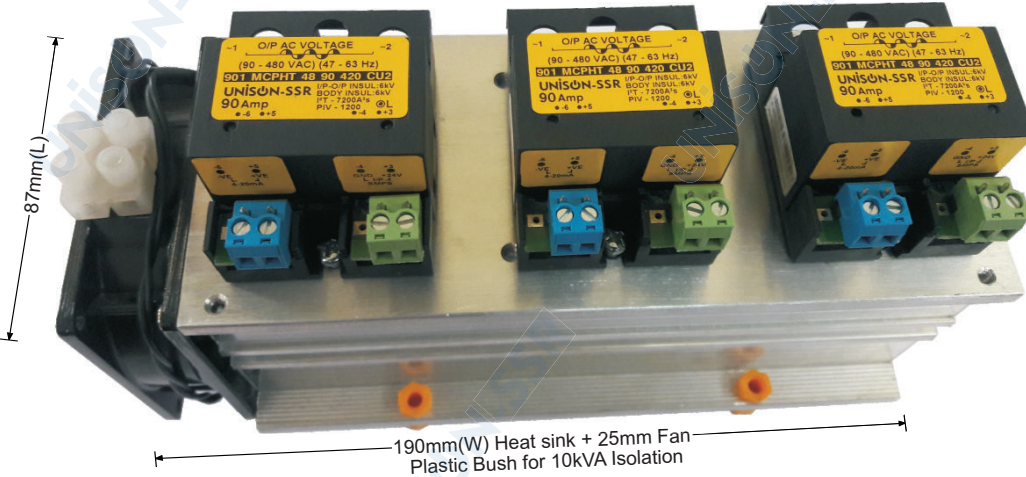
**200AMP-MODEL 901 MCPHT 48 200 420 CU2- 3Nos. SSR**  
**"A-190" H.S. WITH 230VAC FAN**



Model 901 - 200Amp  
 Input: 4 to 20mA/51E or 0-10VDC/1ME  
 Fix Supply : 24VDC/30mA  
 Output : 90-480VAC (47-63 Hz)  
 Short Circuit Protection by "B" Curve DP MCB  
 115Amp Load Current/125Amp "B" Curve DP MCB  
 PIV : 1600Vpk, I²T : 25000A²S for 9.6mS  
 Body isolation : 6kV for 1min  
 I/P. to O/P. isolation : 6kV for 1min  
 Load Current : 156AMP @ 40 °C (52AMP X 3 SSR)+ Heat Sink A-190+FAN  
 Short Circuit Current Rating : 10kA for <3mS

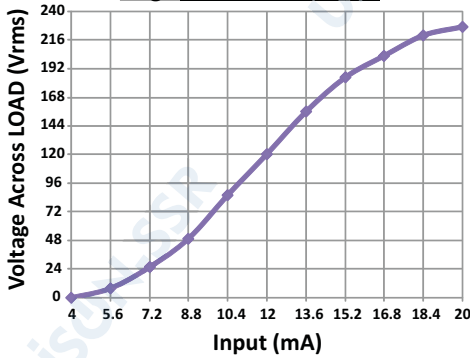
# Linear Micro-controller PHASE ANGLE CONTROL SOLID STATE RELAY - MODEL 901

90AMP-MODEL 901 MCPHT 48 90 420 CU2- 3Nos. SSR  
 "A-190" H.S. WITH 230VAC FAN

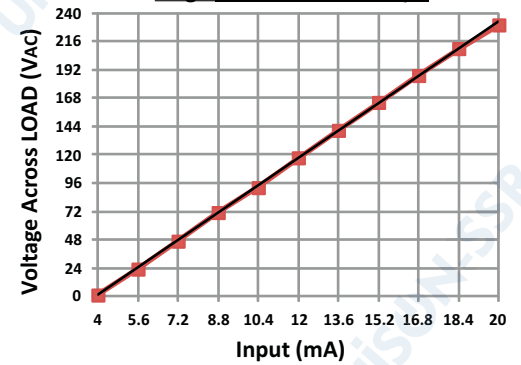


Model 901 - 90Amp  
 Input : 4 to 20mA/51E or 0-10VDC/1ME  
 Fix Supply : 24VDC/30mA  
 Output : 90-480VAC (47-63 Hz)  
 Short Circuit Protection by "B" Curve DP MCB  
 63Amp Load Current/63Amp "B" Curve DP MCB  
 PIV : 1600Vpk, I<sup>2</sup>T : 3000A<sup>2</sup>S for 9.6mS  
 Body isolation : 6kV for 1min  
 I/P. to O/P. isolation : 6kV for 1min  
 Load Current : 120AMP @ 40 °C (40AMP X 3 SSR)  
 + Heat Sink A-190+FAN  
 Short Circuit Current Rating : 10kA for <3mS

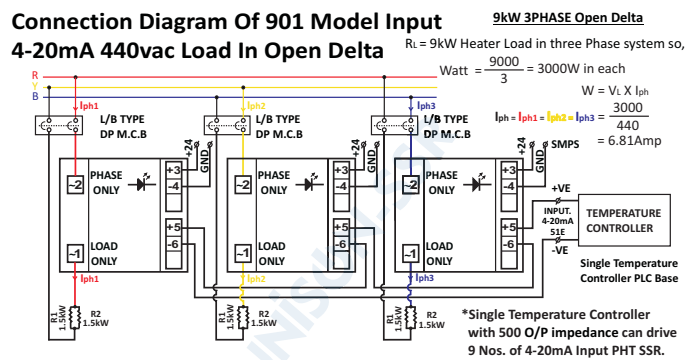
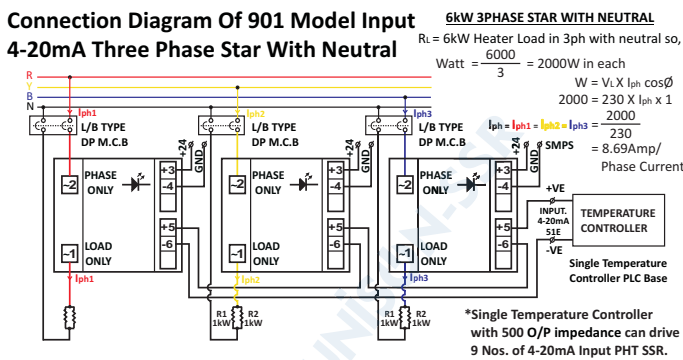
803/801 Analog Phase Angle Control  
 Single Phase Cosine Wave



901 Micro Controller base Phase Angle Control  
 Single Phase - Linear Graph



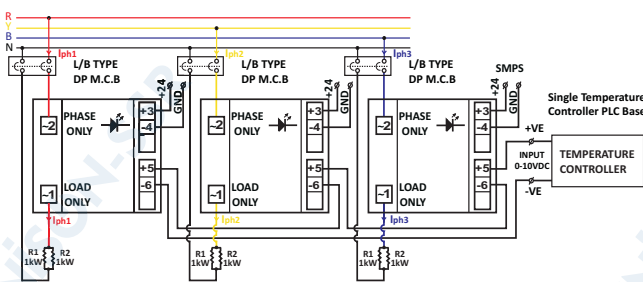
## Linear Micro-Controller PHASE ANGLE CONTROL TYPE SSR Connection Diagram



\* Linear Micro-controller Phase Angle Controller SSR will not work star without neutral

\* Linear Micro-controller Phase Angle Control SSR will not work in close delta configuration

Connection Diagram Of 901 Model Input 0-10VDC  
 Three Phase Star With Neutral



Connection Diagram Of 901 Model Input 0-10VDC  
 440vac Load In Open Delta

