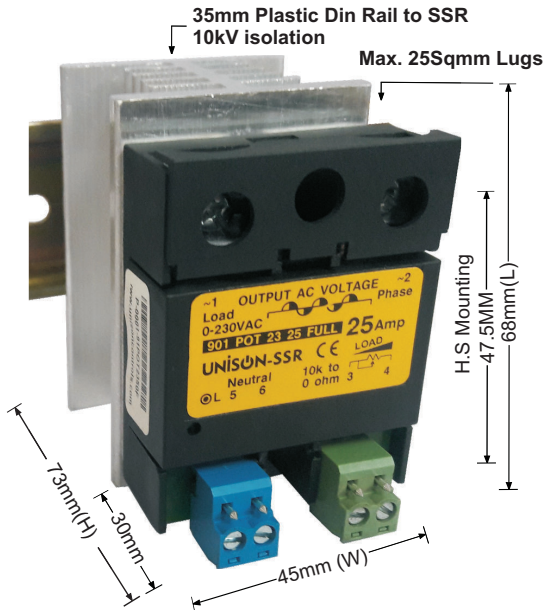


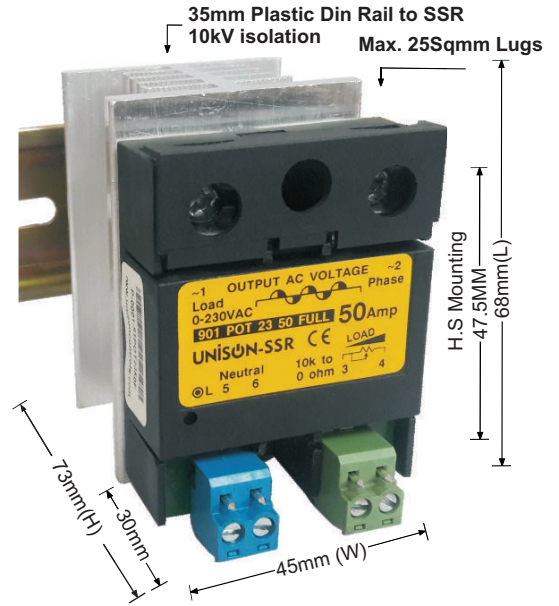
# POT HALF - FULL SSR - MODEL 901

## 25AMP- MODEL 901 POT 23 25 FULL WITH "G-68" H.S.



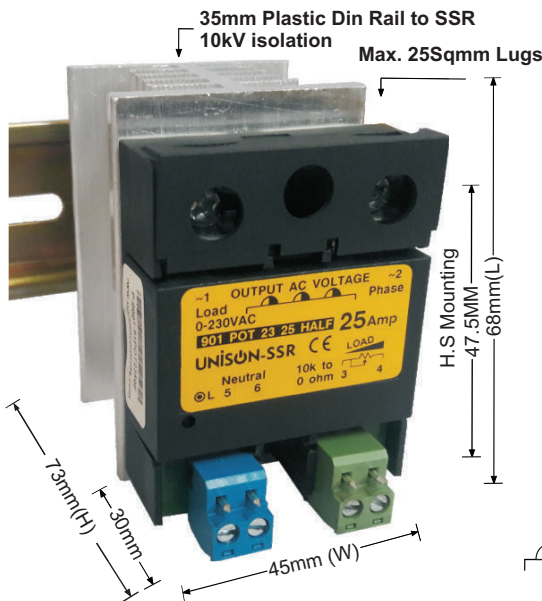
Model 901 - 25Amp  
 Phase Angle Control by POT with neutral  
 Input : 10KE POT  
 Output : 0 - 230 VAC  
 Frequency : 47 - 63 Hz  
 PIV : 800Vpk  
 I<sup>2</sup>T : 340A<sup>2</sup>S for 9.6mS  
 Body isolation : 4kV for 1min  
 I/P. to O/P. isolation : 4kV for 1min  
 Load Current : 20Amp @ 40 °C  
 With Heat Sink G-68+Din

## 50AMP- MODEL 901 POT 23 50 FULL WITH "G-68" H.S.



Model 901 - 50Amp  
 Phase Angle Control by POT with neutral  
 Input : 10KE POT  
 Output : 0 - 230 VAC  
 Frequency : 47 - 63 Hz  
 PIV : 800Vpk  
 I<sup>2</sup>T : 3000A<sup>2</sup>S for 9.6mS  
 Body isolation : 4kV for 1min  
 I/P. to O/P. isolation : 4kV for 1min  
 1.) Load Current : 25AMP @ 40 °C  
 With Heat Sink G-68+Din  
 2.) Load Current : 40AMP @ 40 °C  
 With Heat Sink B-48+Din

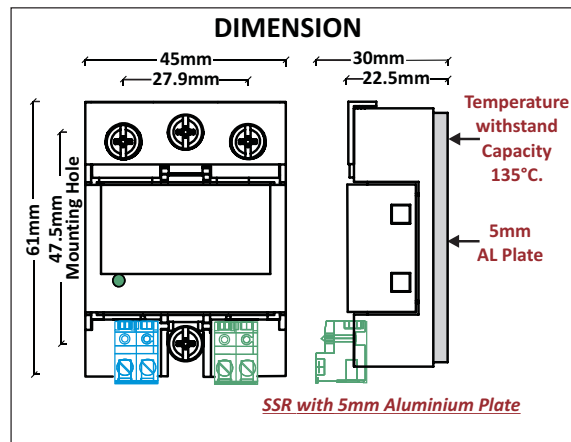
## 25AMP- MODEL 901 POT 23 25 HALF WITH "G-68" H.S.



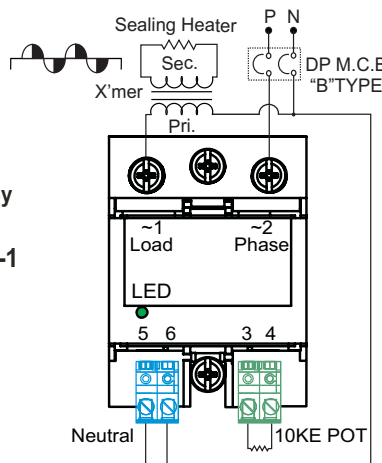
Model 901 - 25Amp  
 Vibration Control by POT with Neutral.  
 Input : 10KE POT  
 Output : 0 - 230 VAC  
 Frequency : 47 - 63 Hz  
 PIV : 800Vpk  
 I<sup>2</sup>T : 340A<sup>2</sup>S for 9.6mS  
 Body isolation : 4kV for 1min  
 I/P. to O/P. isolation : 4kV for 1min  
 Load Current : 05Amp @ 40 °C  
 With Heat Sink G-68+Din

Approved By  
**CE**  
 EN-60947-5-1

**LEAD - FREE**  
**RoHS**  
**COMPLIANT**



### FULL CONTROL Impulse Sealing Heater



### HALF CONTROL Vibration Transformer without diode

