

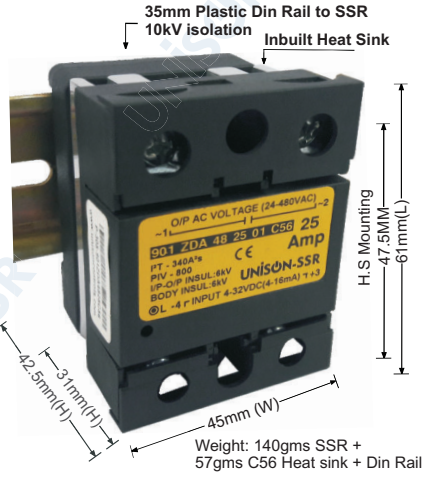
DC TO AC SOLID STATE RELAY - MODEL 901

25AMP- MODEL 901 ZDA 48 25 01 AL5



Model 901 - 25Amp
Zero Cross Over SSR
Input : 4-32VDC/4-16mA
Input LED Indication : **Green**
Output : 24-480VAC (47-63 Hz)
PIV : 800Vpk
I^T : 340A^S for 9.6mS
Body isolation : 6kV for 1min
I/P. to O/P. isolation : 6kV for 1min
Inbuilt surge voltage protection of 2700Vrms
Load Current : 10AMP @40 °C
Without Heat Sink + Din rail

25AMP- MODEL 901 ZDA 48 25 01 C56



Model 901 - 25Amp
Zero Cross Over SSR
Input : 4-32VDC/4-16mA
Input LED Indication : **Green**
Output : 24-480VAC (47-63 Hz)
PIV : 800Vpk
I^T : 340A^S for 9.6mS
Body isolation : 6kV for 1min
I/P. to O/P. isolation : 6kV for 1min
Inbuilt surge voltage protection of 2700Vrms
Load Current : 12AMP @40 °C
With Inbuilt Heat Sink C-56+Din

25AMP- MODEL 901 ZDA 48 25 01 AL5 WITH "G-68" H.S.



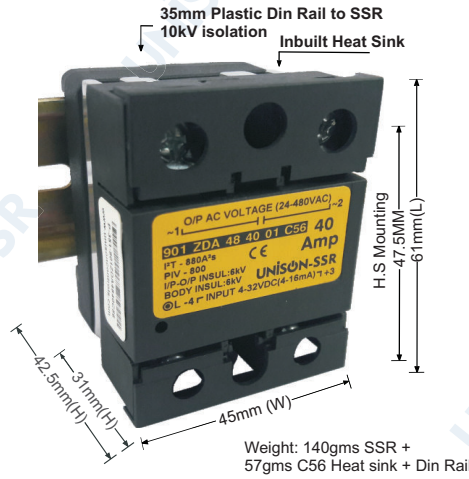
Model 901 - 25Amp
Zero Cross Over SSR
Input : 4-32VDC/4-16mA
Input LED Indication : **Green**
Output : 24-480VAC (47-63 Hz)
PIV : 800Vpk
I^T : 340A^S for 9.6mS
Body isolation : 6kV for 1min
I/P. to O/P. isolation : 6kV for 1min
Inbuilt surge voltage protection of 2700Vrms
Load Current : 16AMP @40 °C
With Heat Sink G-68+Din

40AMP- MODEL 901 ZDA 48 40 01 AL5



Model 901 - 40Amp
Zero Cross Over SSR
Input : 4-32VDC/4-16mA
Input LED Indication : **Green**
Output : 24-480VAC (47-63 Hz)
PIV : 800Vpk
I^T : 880A^S for 9.6mS
Body isolation : 6kV for 1min
I/P. to O/P. isolation : 6kV for 1min
Inbuilt surge voltage protection of 2700Vrms
Load Current : 12AMP @40 °C
Without Heat Sink

40AMP- MODEL 901 ZDA 48 40 01 C56



Model 901 - 40Amp
Zero Cross Over SSR
Input : 4-32VDC/4-16mA
Input LED Indication : **Green**
Output : 24-480VAC (47-63 Hz)
PIV : 800Vpk
I^T : 880A^S for 9.6mS
Body isolation : 6kV for 1min
I/P. to O/P. isolation : 6kV for 1min
Inbuilt surge voltage protection of 2700Vrms
Load Current : 14AMP @40 °C
With Inbuilt Heat Sink C-56+Din

40AMP- MODEL 901 ZDA 48 40 01 AL5 WITH "G-68" H.S.



Model 901 - 40Amp
Zero Cross Over SSR
Input : 4-32VDC/4-16mA
Input LED Indication : **Green**
Output : 24-480VAC (47-63 Hz)
PIV : 800Vpk
I^T : 880A^S for 9.6mS
Body isolation : 6kV for 1min
I/P. to O/P. isolation : 6kV for 1min
Inbuilt surge voltage protection of 2700Vrms
Load Current : 18AMP @40 °C
With Heat Sink G-68+Din

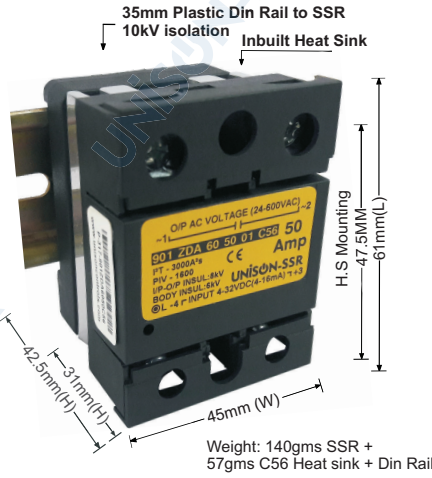
DC TO AC SOLID STATE RELAY - MODEL 901

50AMP- MODEL 901 ZDA 60 50 01 AL5



Model 901 - 50Amp
Zero Cross Over SSR
Input : 4-32VDC/4-16mA
Input LED Indication : **Green**
Output : 24-600VAC (47-63 Hz)
Short Circuit Protection by "B" Curve DP MCB
15Amp Load Current/16Amp DP "B" Curve DP MCB
PIV : 1600Vpk
I²T : 3000A²S for 9.6mS
Body isolation : 6kV for 1min
I/P. to O/P. isolation : 8kV for 1min
Inbuilt surge voltage protection of 2700Vrms
Load Current : 12AMP @40 °C
Without Heat Sink
Short Circuit Current Rating : 10KA for <3mS

50AMP- MODEL 901 ZDA 60 50 01 C56



Model 901 - 50Amp
Zero Cross Over SSR
Input : 4-32VDC/4-16mA
Input LED Indication : **Green**
Output : 24-600VAC (47-63 Hz)
Short Circuit Protection by "B" Curve DP MCB
15Amp Load Current/16Amp DP "B" Curve DP MCB
PIV : 1600Vpk
I²T : 3000A²S for 9.6mS
Body isolation : 6kV for 1min
I/P. to O/P. isolation : 8kV for 1min
Inbuilt surge voltage protection of 2700Vrms
Load Current : 16AMP @40 °C
With Inbuilt Heat Sink C-56+Din
Short Circuit Current Rating : 10KA for <3mS

50AMP- MODEL 901 ZDA 60 50 01 AL5 WITH "G-68" H.S.



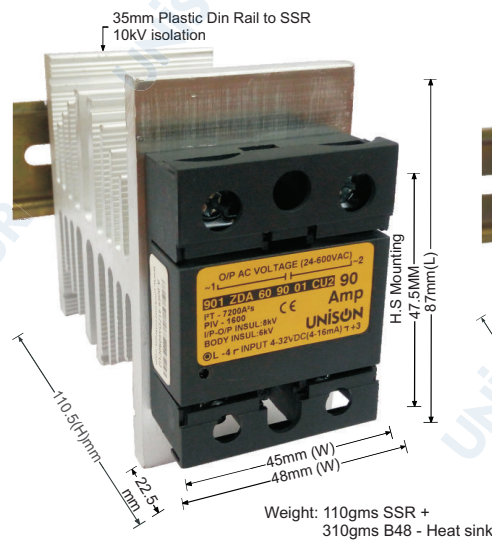
Model 901 - 50Amp
Zero Cross Over SSR
Input : 4-32VDC/4-16mA
Input LED Indication : **Green**
Output : 24-600VAC (47-63 Hz)
Short Circuit Protection by "B" Curve DP MCB
15Amp Load Current/16Amp DP "B" Curve DP MCB
PIV : 1600Vpk
I²T : 3000A²S for 9.6mS
Body isolation : 6kV for 1min
I/P. to O/P. isolation : 8kV for 1min
Inbuilt surge voltage protection of 2700Vrms
Load Current : 26AMP @40 °C
With Heat Sink G-68+Din
Short Circuit Current Rating : 10KA for <3mS

50AMP- MODEL 901 ZDA 60 50 01 AL5 WITH "B-48" H.S.



Model 901 - 50Amp
Zero Cross Over SSR
Input : 4-32VDC/4-16mA
Input LED Indication : **Green**
Output : 24-600VAC (47-63 Hz)
Short Circuit Protection by "B" Curve DP MCB
15Amp Load Current/16Amp DP "B" Curve DP MCB
PIV : 1600Vpk
I²T : 3000A²S for 9.6mS
Body isolation : 6kV for 1min
I/P. to O/P. isolation : 8kV for 1min
Inbuilt surge voltage protection of 2700Vrms
Load Current : 32AMP @40 °C
With Heat Sink B-48+Din
Short Circuit Current Rating : 10KA for <3mS

90AMP- MODEL 901 ZDA 60 90 01 CU2 WITH "B-48" H.S.



Model 901 - 90Amp
Zero Cross Over SSR
Input : 4-32VDC/4-16mA
Input LED Indication : **Green**
Output : 24-600VAC (47-63 Hz)
Short Circuit Protection by "B" Curve DP MCB
63Amp Load Current/63Amp DP "B" Curve DP MCB
PIV : 1600Vpk
I²T : 7200A²S for 9.6mS
Body isolation : 6kV for 1min
I/P. to O/P. isolation : 8kV for 1min
Inbuilt surge voltage protection of 2700Vrms
Load Current : 36Amp @40 °C
With Heat Sink B-48+Din
Short Circuit Current Rating : 10KA for <3mS

90AMP- MODEL 901 ZDA 60 90 01 CU2 WITH "A-100" H.S.



Model 901 - 90Amp
Zero Cross Over SSR
Input : 4-32VDC/4-16mA
Input LED Indication : **Green**
Output : 24-600VAC (47-63 Hz)
Short Circuit Protection by "B" Curve DP MCB
63Amp Load Current/63Amp DP "B" Curve DP MCB
PIV : 1600Vpk
I²T : 7200A²S for 9.6mS
Body isolation : 6kV for 1min
I/P. to O/P. isolation : 8kV for 1min
Inbuilt surge voltage protection of 2700Vrms
Load Current : 65Amp @40 °C
With Heat Sink A-100+Din
Short Circuit Current Rating : 10KA for <3mS

DC TO AC SOLID STATE RELAY - MODEL 901

200AMP- MODEL 901 ZDA 60 200 01 CU2
WITH "A-100" H.S.

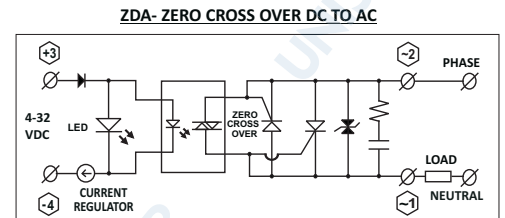
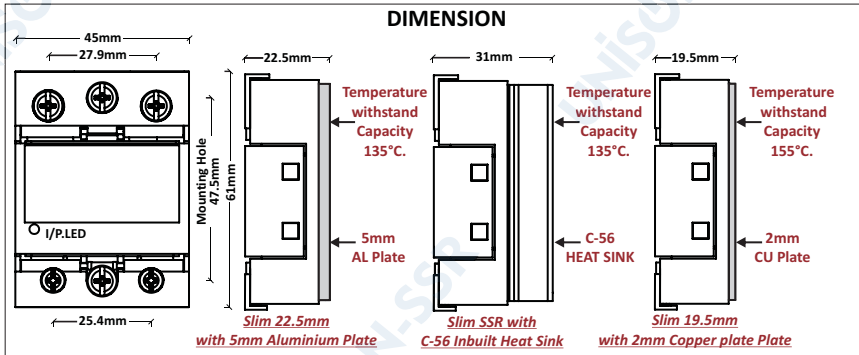
200AMP-MODEL 901 ZDA 60 200 01 CU2- 3Nos. SSR
"A-285" H.S. WITH 230VAC FAN



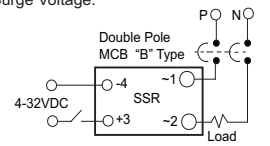
Model 901 - 200Amp
Zero Cross Over SSR
Input : 4-32VDC/4-16mA
Input LED Indication : **Green**
Output : 24-600VAC (47-63 Hz)
Short Circuit Protection by "B" Curve DP MCB
115Amp Load Current/125Amp DP "B" Curve DP MCB
PIV : 1600Vpk
I^T : 2500A²S for 9.6ms
Body isolation : 6kV for 1min
I/P. to O/P. isolation : 8kV for 1min
Inbuilt surge voltage protection of 2700Vrms
Load Current : 80 Amp @40 °C
With Heat Sink A-100+Din
Short Circuit Current Rating : 10KA for <3ms

Model 901 - 200Amp
Zero Cross Over SSR
Input : 4-32VDC/4-16mA
Input LED Indication : **Green**
Output : 24-600VAC (47-63 Hz)
Short Circuit Protection by "B" Curve DP MCB
115Amp Load Current/125Amp DP "B" Curve DP MCB
PIV : 1600Vpk
I^T : 2500A²S for 9.6ms
Body isolation : 6kV for 1min
I/P. to O/P. isolation : 8kV for 1min
Inbuilt surge voltage protection of 2700Vrms
Load Current : 240Amp @40 °C (80Amp X 3 SSR)
With Heat Sink A-285+FAN
Short Circuit Current Rating : 10KA for <3ms

Approved By
CE
EN-60947-5-1
LEAD - FREE
RoHS
COMPLIANT



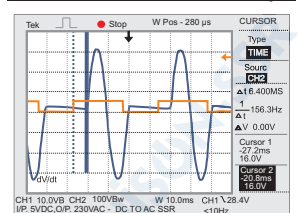
- ⇒ INBUILT Snubber for protect the Harmonic & Power Factor.
- ⇒ INBUILT TVS protect Surge Voltage.



SSR Connection Diagram
Resistive Load

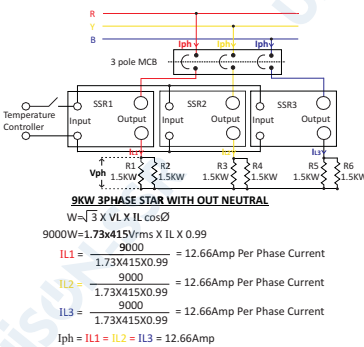
External MCB. Protects SSR
During the Short Circuit and
Over Load for AC-53a current duty.

Zero Crossover Waveform - Output

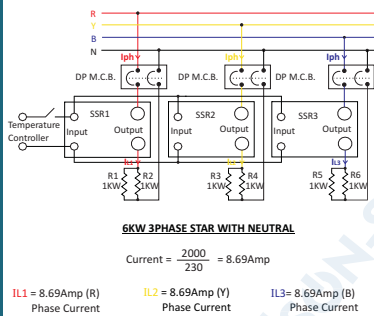


ON/OFF TYPE SSR Connection Diagram

Circuit diagram 901 model - ON/OFF type Star Connection without neutral



Circuit diagram 901 model - ON/OFF type Star Connection with neutral



Circuit diagram 901 model - ON/OFF type Closed Delta Connection

