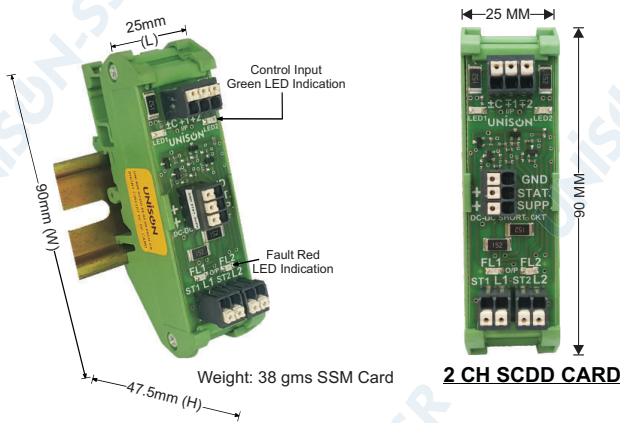


# 909 SCDD DC TO DC SHORT CIRCUIT PROTECTION COMMON STATUS SUPPLY(CS) CARD

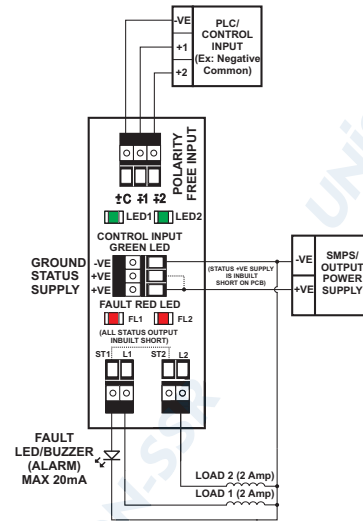
## UNI 909 SCDD 55 02 00 02CH CS



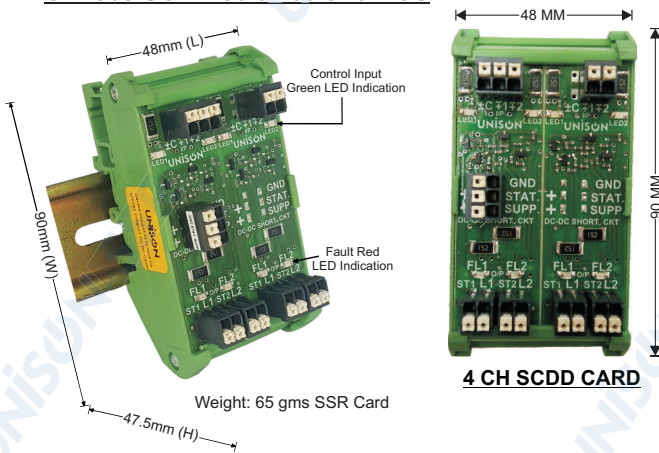
Model 909 - 02 CHANNEL COMMON STATUS SUPPLY CARD  
 Input: 4-32VDC/2-20mA,  
 Control Input Status LED Indication : **Green**  
 Output : 10-55VDC  
 Output Circuit Switching Element : Power Mosfet  
 Fault Output Status LED Indication : **Red**  
 Minimum Turn On Voltage : 4VDC  
 Turn Off Voltage : < 3.4 VDC  
 Turn On Time : 37µs ,Turn Off Time : 100µs  
 Switching Frequency : 3kHz  
 With Input Reverse Polarity Protection

## UNI 909 SCDD 55 02 00 02CH CS

### Connection Diagram



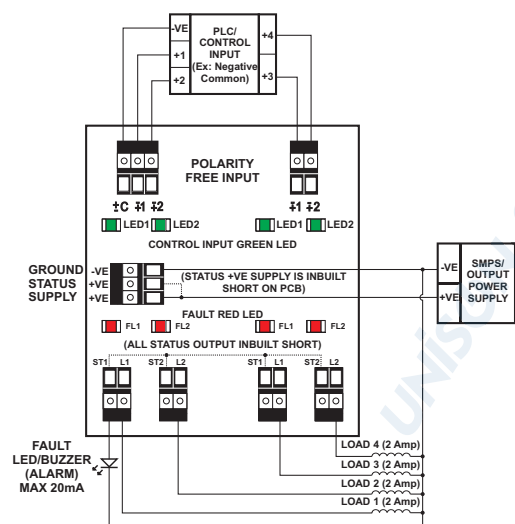
## UNI 909 SCDD 55 02 00 04CH CS



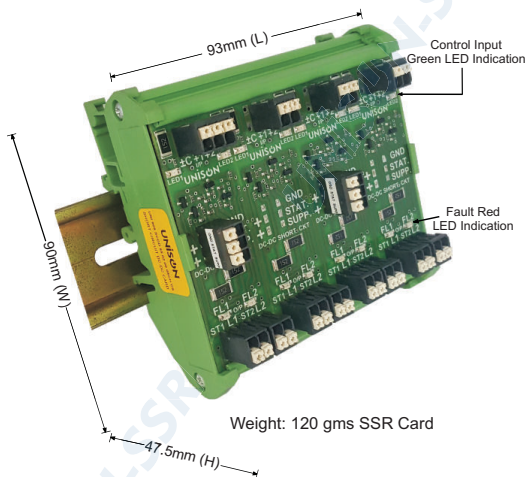
Model 909 - 04 CHANNEL COMMON STATUS SUPPLY CARD  
 Input: 4-32VDC/2-20mA,  
 Control Input Status LED Indication : **Green**  
 Output : 10-55VDC  
 Output Circuit Switching Element : Power Mosfet  
 Fault Output Status LED Indication : **Red**  
 Minimum Turn On Voltage : 4VDC  
 Turn Off Voltage : < 3.4 VDC  
 Turn On Time : 37µs ,Turn Off Time : 100µs  
 Switching Frequency : 3kHz  
 With Input Reverse Polarity Protection

## UNI 909 SCDD 55 02 00 04CH CS

### Connection Diagram



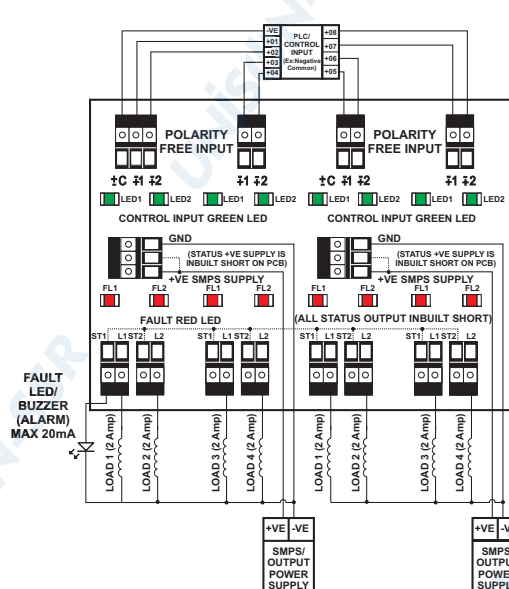
## UNI 909 SCDD 55 02 00 08CH CS



Model 909 - 08 CHANNEL COMMON STATUS SUPPLY CARD  
 Input: 4-32VDC/2-20mA,  
 Control Input Status LED Indication : **Green**  
 Output : 10-55VDC  
 Output Circuit Switching Element : Power Mosfet  
 Fault Output Status LED Indication : **Red**  
 Minimum Turn On Voltage : 4VDC  
 Turn Off Voltage : < 3.4 VDC  
 Turn On Time : 37µs ,Turn Off Time : 100µs  
 Switching Frequency : 3kHz  
 With Input Reverse Polarity Protection

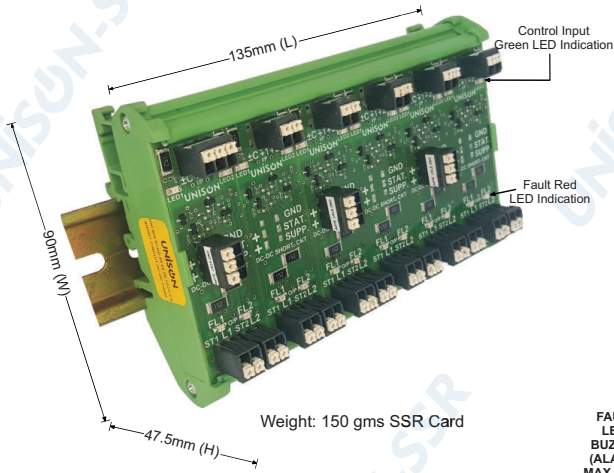
## UNI 909 SCDD 55 02 00 08CH CS

### Connection Diagram



# 909 SCDD DC TO DC SHORT CIRCUIT PROTECTION COMMON STATUS SUPPLY(CS) CARD

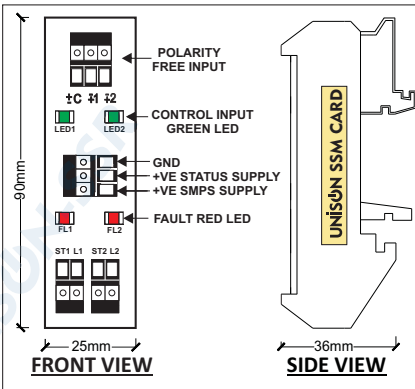
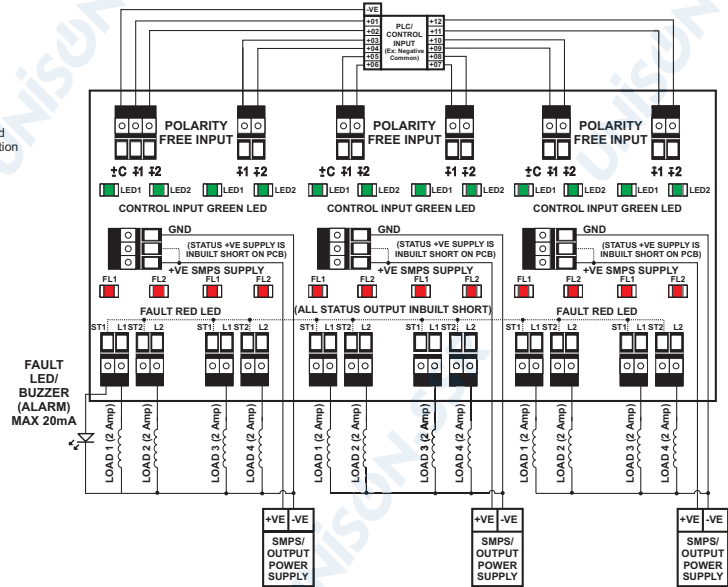
## UNI 909 SCDD 55 02 00 12CH CS



Model 909 - 12 CHANNEL COMMON STATUS SUPPLY CARD  
 Input: 4-32VDC/2-20mA,  
 Control Input Status LED Indication : **Green**  
 Output : 10-55VDC  
 Output Circuit Switching Element : Power Mosfet  
 Fault Output Status LED Indication : **Red**  
 Minimum Turn On Voltage : 4VDC  
 Turn Off Voltage : < 3.4 VDC  
 Turn On Time : 37µs, Turn Off Time : 100µs  
 Switching Frequency : 3kHz  
 With Input Reverse Polarity Protection

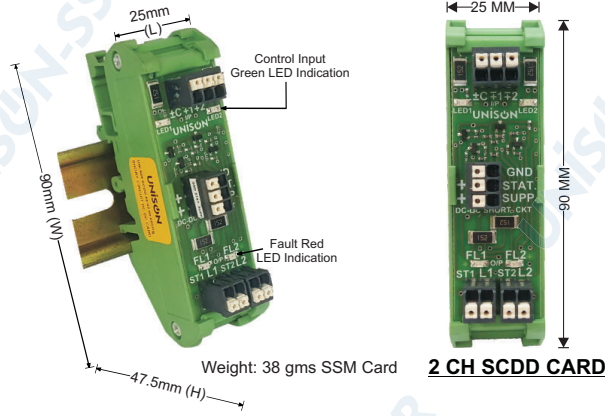
## UNI 909 SCDD 55 02 00 08CH CS

### Connection Diagram



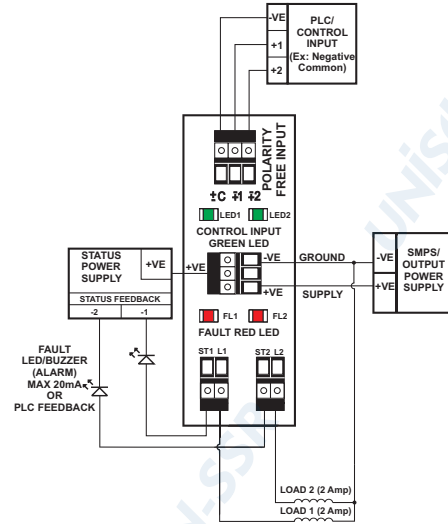
# 909 SCDD DC TO DC SHORT CIRCUIT PROTECTION INDIVIDUAL STATUS SUPPLY(IS) CARD

## UNI 909 SCDD 55 02 00 02CH IS

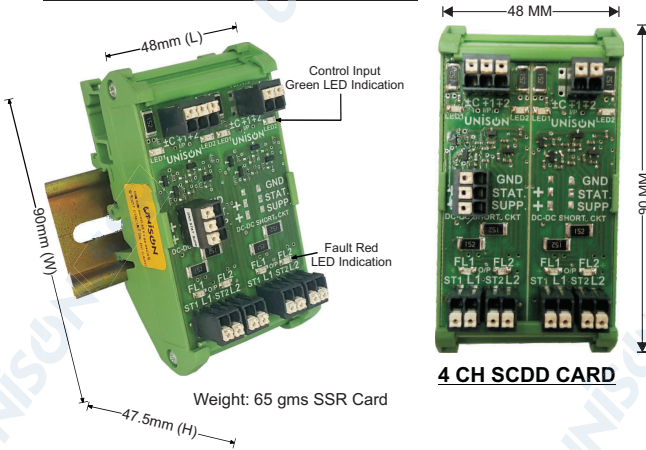


Model 909 - 02 CHANNEL INDIVIDUAL STATUS SUPPLY CARD  
 Input: 4-32VDC/2-20mA,  
 Control Input Status LED Indication : **Green**  
 Output : 10-55VDC  
 Output Circuit Switching Element : Power Mosfet  
 Fault Output Status LED Indication : **Red**  
 Minimum Turn On Voltage : 4VDC  
 Turn Off Voltage : < 3.4 VDC  
 Turn On Time : 37µs , Turn Off Time : 100µs  
 Switching Frequency : 3kHz  
 With Input Reverse Polarity Protection

## UNI 909 SCDD 55 02 00 02CH IS

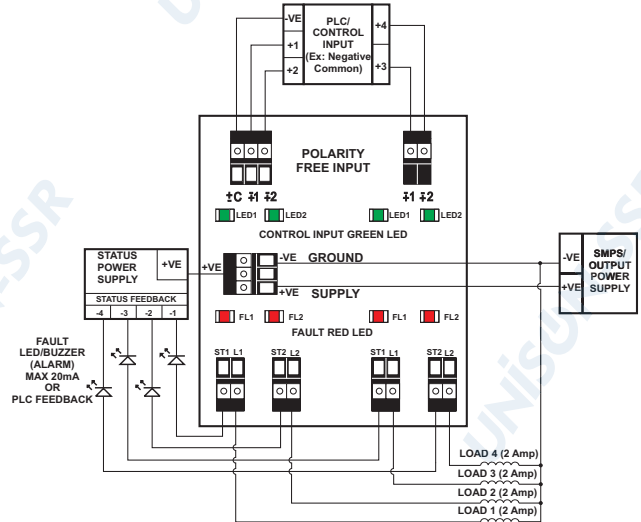


## UNI 909 SCDD 55 02 00 04CH IS

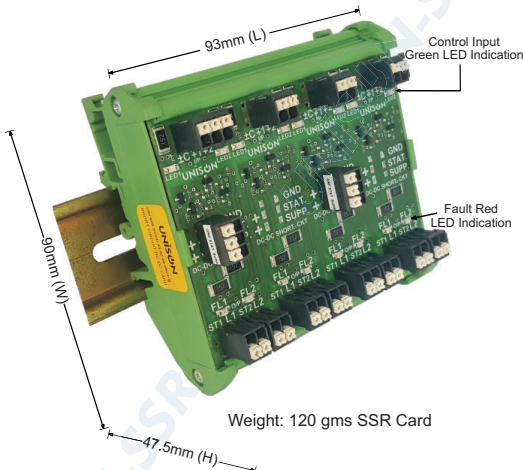


Model 909 - 04 CHANNEL INDIVIDUAL STATUS SUPPLY CARD  
 Input: 4-32VDC/2-20mA,  
 Control Input Status LED Indication : **Green**  
 Output : 10-55VDC  
 Output Circuit Switching Element : Power Mosfet  
 Fault Output Status LED Indication : **Red**  
 Minimum Turn On Voltage : 4VDC  
 Turn Off Voltage : < 3.4 VDC  
 Turn On Time : 37µs , Turn Off Time : 100µs  
 Switching Frequency : 3kHz  
 With Input Reverse Polarity Protection

## UNI 909 SCDD 55 02 00 04CH IS

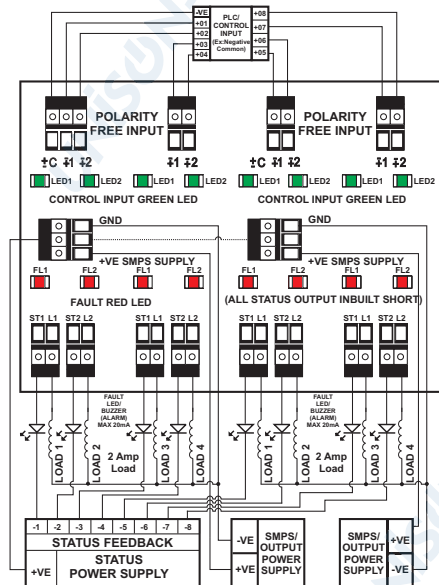


## UNI 909 SCDD 55 02 00 08CH IS



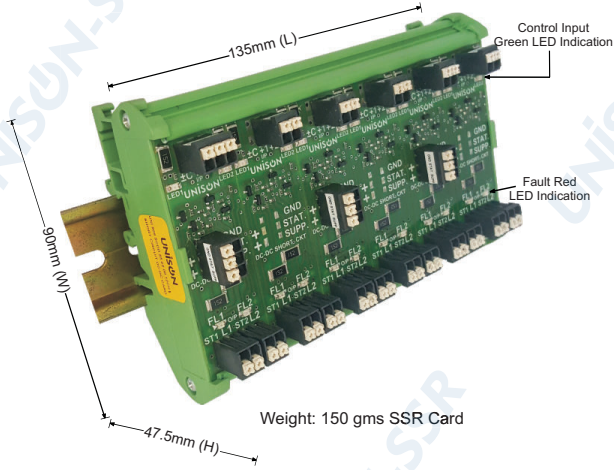
Model 909 - 08 CHANNEL INDIVIDUAL STATUS SUPPLY CARD  
 Input: 4-32VDC/2-20mA,  
 Control Input Status LED Indication : **Green**  
 Output : 10-55VDC  
 Output Circuit Switching Element : Power Mosfet  
 Fault Output Status LED Indication : **Red**  
 Minimum Turn On Voltage : 4VDC  
 Turn Off Voltage : < 3.4 VDC  
 Turn On Time : 37µs , Turn Off Time : 100µs  
 Switching Frequency : 3kHz  
 With Input Reverse Polarity Protection

## UNI 909 SCDD 55 02 00 08CH IS Connection Diagram

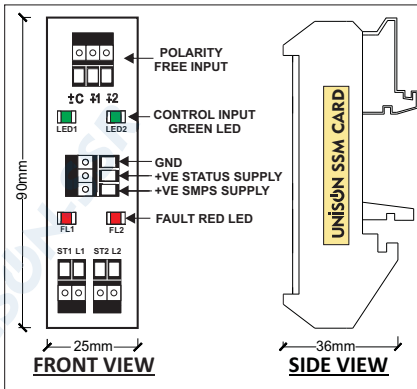


# 909 SCDD DC TO DC SHORT CIRCUIT PROTECTION INDIVIDUAL STATUS SUPPLY(IS) CARD

UNI 909 SCDD 55 02 00 12CH IS



Model 909 - 12 CHANNEL INDIVIDUAL STATUS SUPPLY CARD  
 Input: 4-32VDC/2-20mA,  
 Control Input Status LED Indication : Green  
 Output : 10-55VDC  
 Output Circuit Switching Element : Power Mosfet  
 Fault Output Status LED Indication : Red  
 Minimum Turn On Voltage : 4VDC  
 Turn Off Voltage : < 3.4 VDC  
 Turn On Time : 37µs , Turn Off Time : 100µs  
 Switching Frequency : 3kHz  
 With Input Reverse Polarity Protection



UNI 909 SCDD 55 02 00 12CH IS

## Connection Diagram

